



*Model GBA/B-6TP24 6 Ft. long Gibraltar Cast Aluminum Bench  
with Black powder coated frames  
and Treated Southern Yellow Pine 2" x 4" Slats.*

- **Ornate Cast Aluminum frames**
- **Surface mount or portable**
- **Powder coated finish on cast aluminum frames**
- **Treated #1 Southern Yellow Pine Planks**
- **Precision drilled lumber**
- **Quality construction throughout**

---

**SPECIFICATIONS:**

---

- **GBA Series** bench end frames are one-piece, molded cast aluminum. Ornate design incorporates legs, seat and back supports, and armrest in a single component. Frame feet include 7/16" dia. anchor holes for mounting on hard surfaces (anchors not included).
- **Model GBA-4** is 4 ft. long (nom.) with two frames.
- **Model GBA-6** is 6 ft. long (nom.) with two frames.
- **Model GBA3-8** is 8 ft. long (nom.) with three frames.
- **Standard:** All cast aluminum frame components are powder coated black (indicated by "/CB" in model no., e.g. GBA/CB-4TP24) after fabrication.
- **Standard:** Seat and back are (6) 2" x 4" (nom.) Treated #1 Southern Yellow Pine slats, pressure treated and kiln dried after treatment (KDAT) to preserve wood against decay (indicated by "TP24" at end of the model no, e.g. GBA/B-4TP24).
- All fasteners are provided for assembly.
- **Optional:** Color choices of powder coat frame finish. For optional colors choices see Specification Bulletin #SPC-CO-001.

---

**AVAILABLE OPTIONS**

---

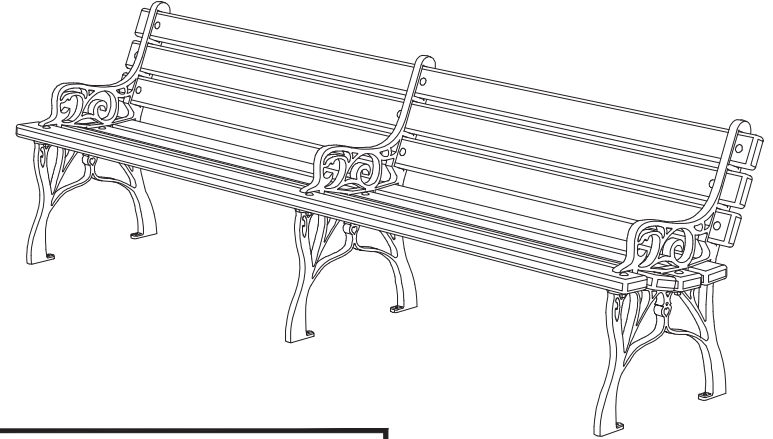
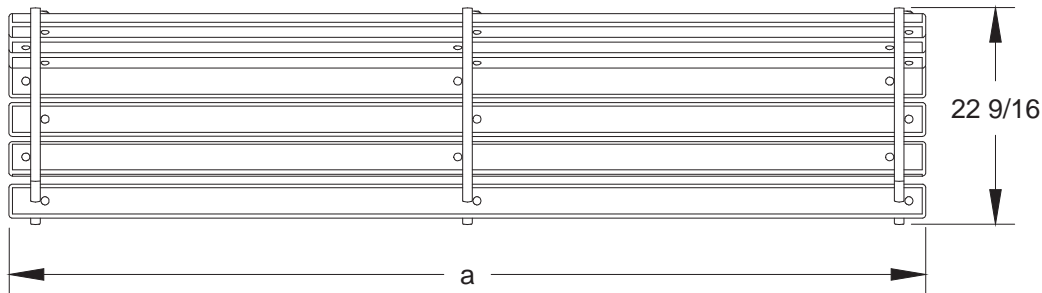
**4', 6' or 8' models**

**Choice of colors of Powder Coat Finish on cast aluminum frame components**

**RJ Thomas Mfg. Co., Inc.**

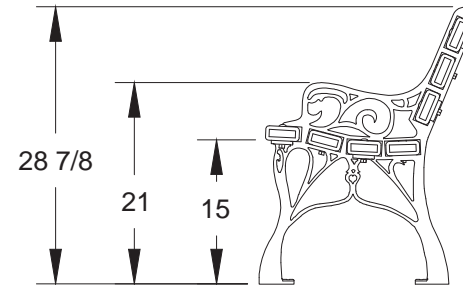
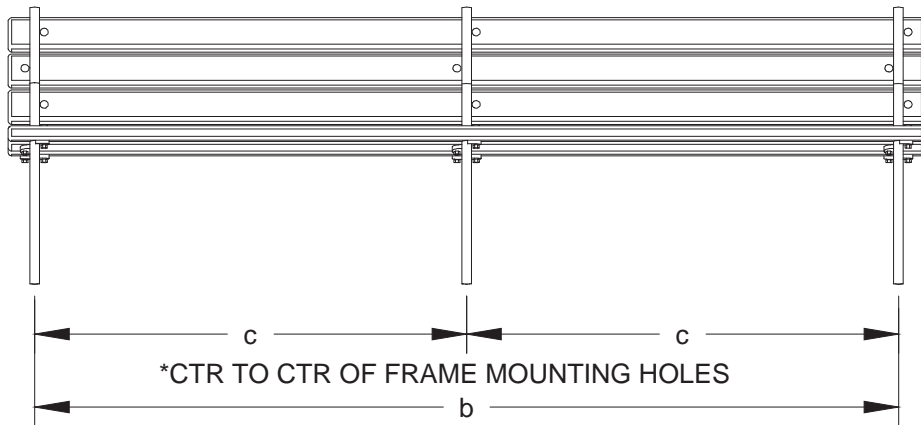
PO Box 946 • Cherokee, IA 51012-0946 • PH: 712-225-5115 • 800-762-5002 • FAX: 712-225-5796  
E-mail: pilotrock@rjthomas.com • Web Site: <https://www.pilotrock.com>

© 2020 RJ Thomas Mfg. Co., Inc. PILOT ROCK<sup>®</sup> Park Products is a registered trademark of RJ Thomas Mfg. Co., Inc.



MODEL NUMBER	DIMENSION		
	a	b	c*
GBA-4	47 1/2	42	N/A
GBA-6	71 1/2	66	N/A
GBA3-8	95 1/2	90	45

\* NOTE:  
4 AND 6 FT. LONG BENCH  
USES TWO FRAMES  
(DOES NOT HAVE  
CENTER FRAME)



ALL DIMENSIONS IN INCHES

ALL DIMENSIONS IN INCHES

**RJThomas Mfg. Co., Inc.**  
P.O. Box 946 • Cherokee, IA 51012-0946

DRAWN BY  
**WWM**

TITLE GIBRALTAR SERIES 4, 6 AND 8 FOOT CAST ALUMINUM BENCH WITH LUMBER  
PLANKS

DATE 9-03-08

DWG. NO. **AI-1719**