



*Model GC-1 Grill Cover shown on a  
Pilot Rock Model K-20 Grill*

- **Protect grill interior, coals, and food from the elements**
- **Holds in smoke for true grilled flavor**
- **Public use-type grip of coiled steel bar**
- **Quality construction throughout**

#### **AVAILABLE OPTIONS**

**Hot Dip Galvanized to match galvanized grills**  
**Model S6 Swivel Shelf attaches to 3-1/2" diameter base post**

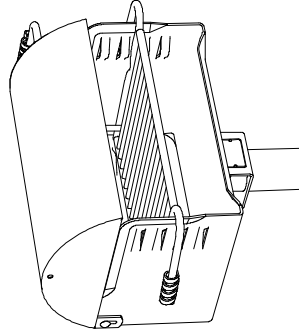
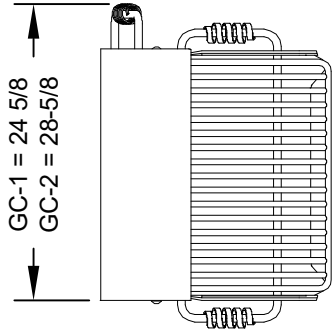
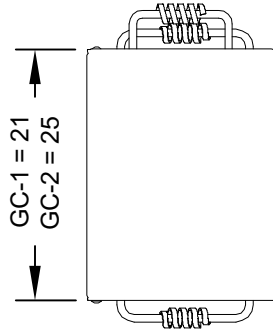
#### **SPECIFICATIONS:**

- **Model GC-1** Grill Cover is a 21" x 15-1/2" x 5" canopy with enclosed ends constructed of formed and welded 14 ga. steel. This model fits K-20, N-20, and Q-20 grills. Order as separate item, GC/B-1.
- **Model GC/B-2** Grill Cover is a 25" x 18-3/8" x 5" canopy with enclosed ends constructed of formed and welded 14 ga. steel. This model fits N-24 and Q-24 grills. Order as separate item, GC/B-2.
- Two 3/8" carriage bolts with locking nuts act as the hinge points. A handle constructed of a 1/8" x 1/2" coil spring grip and 1/2" dia. steel bars attached to one side of the cover.
- Entire unit is finished in high temperature, heat resistant, nontoxic black enamel, indicated by "/B" in model number.
- **Optional:** Entire grill cover is hot-dip galvanized after fabrication to ASTM-A123 to maintain an average zinc coating of 2.0 oz. per sq. ft. of surface area (indicated by replacing "/B" with "/G" in model no., e.g. GC/G-1 or GC/G-2, respectively). Sold as separate item for galvanized grills.
- **NOTE:** Covers can not be used with optional Model S3 shelf.
- **Order:**
  - Model GC/B-1** grill cover for K-20, N-20, and Q-20 grills.
  - Model GC/B-2** grill cover for N-24, and Q-24 grills.
  - Model GC/G-1** galvanized grill cover for N/G-20, NS-20, and Q/G-20 grills.
  - Model GC/G-2** galvanized grill cover for N/G-24 and Q/G-24 grills.

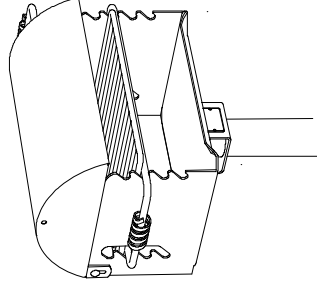
**RJ Thomas Mfg. Co., Inc.**

PO Box 946 • Cherokee, IA 51012-0946 • PH: 712-225-5115 • 800-762-5002 • FAX: 712-225-5796  
E-mail: pilotrock@rjthomas.com • Web Site: <http://www.pilotrock.com>

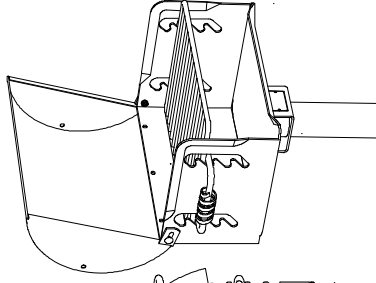
© 2013 RJ Thomas Mfg. Co., Inc. PILOT ROCK® Park Products is a registered trademark of RJ Thomas Mfg. Co., Inc.



Model K-20 Grill  
with GC-1 Grill Cover

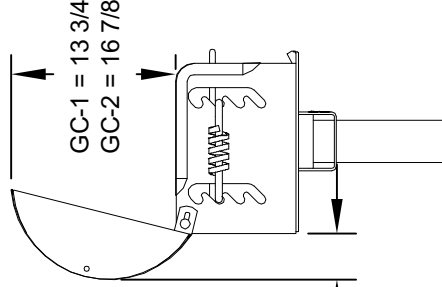
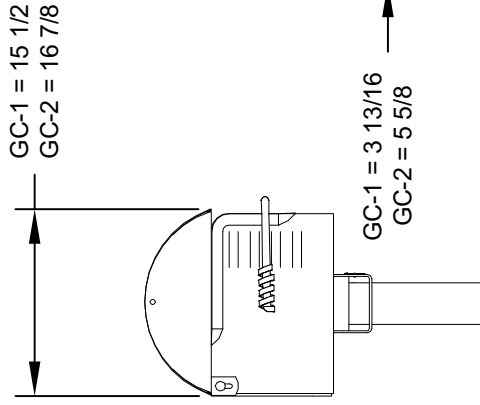
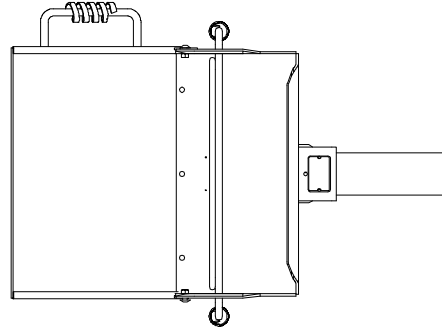
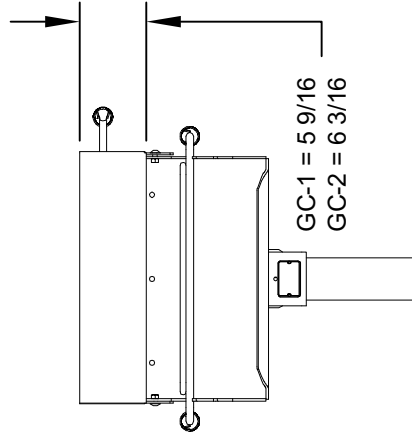


Model Q-20 Grill  
with GC-1 Grill Cover



Model N-20 Grill  
with GC-1 Grill Cover

Model GC-1 fits K-20, N-20, and Q-20 Grills  
Model GC-2 fits N-24 and Q-24 Grills



ALL DIMENSIONS IN INCHES

**RJ Thomas Mfg. Co., Inc.**  
P.O. Box 946 • Cherokee, IA 51012-0946

DRAWN BY  
**WWM**

TITLE MODELS GC-1 AND GC-2 GRILL COVERS FOR K, N, AND Q SERIES GRILLS

DATE 1-15-13

DWG. NO.

**AI-2049**