



Model GS/G-5TP Grill Station with galvanized steel frame and five treated southern yellow pine planks. Shown with optional Model A-20 Premier Grill mounted in the right end position. (Grill ordered separately)

- **Surface mount on hard surfaces**
- **Works well with a variety of Pilot Rock grills**
- **Three mounting configurations for grill**
- **Provides large work area for grilling utensils, food, plates, and condiments**
- **All welded end frames are fabricated from 1-5/8" diameter steel pipe**
- **Die-formed diagonal braces**
- **Frames are hot-dip galvanized after fabrication for superior corrosion resistance**
- **Precision drilled, Treated #1 Southern Yellow Pine Seat and Top Planks**
- **Ships UPS in two boxes**

AVAILABLE OPTIONS

- **Powder Coat Finish in choice of colors for steel frame components**
- **Recycled Plastic Planks in choice of colors**
- **Untreated #1 Southern Yellow Pine lumber**

SPECIFICATIONS:

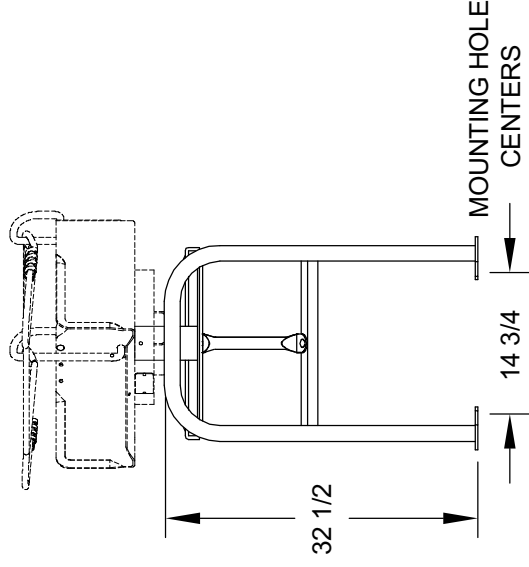
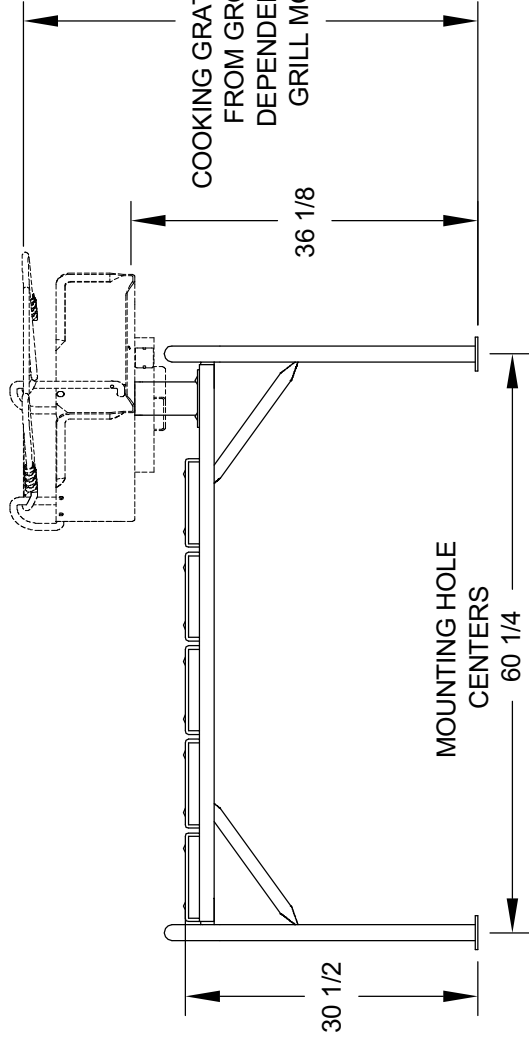
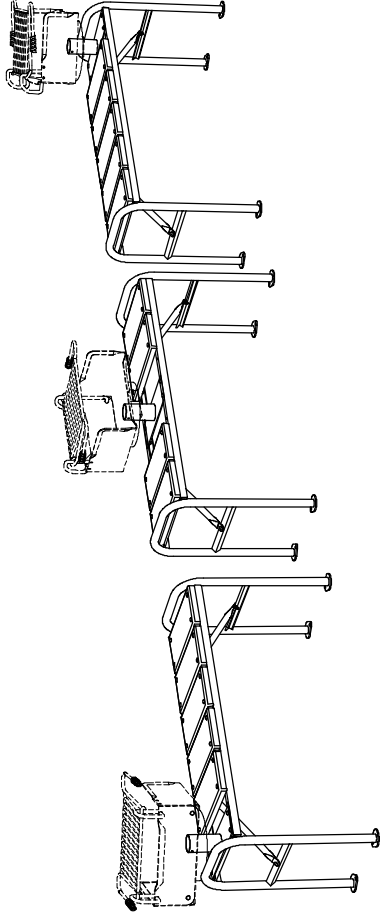
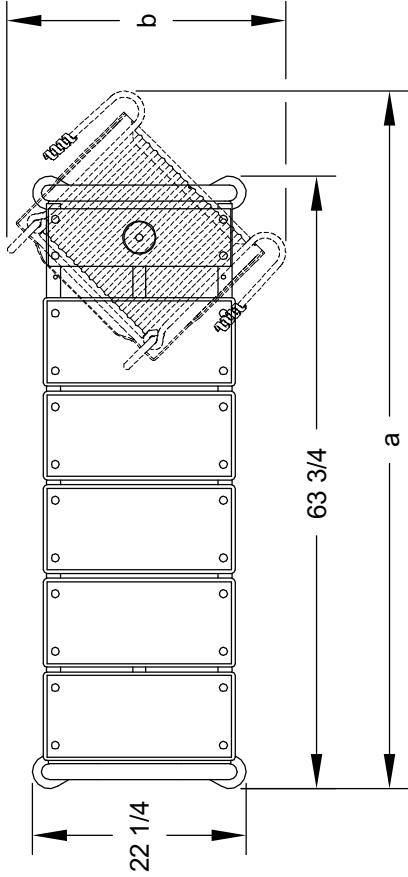
- **GS Series** grill station end frames are each a one-piece welded construction, fabricated from a 1.66" (1-5/8" O.D.) steel pipe with two 5" radius die-formed bends, a 10 ga. die-formed top mounting channel, and a 1-1/4" x 1-1/4" x 3/16" support angle. Two 1/4" thick steel base plates, each with a 9/16" dia. hole are provided for anchoring the station to hard surfaces. Anchors are included.
- Top frame is a welded construction of two 1-1/2" x 1-1/2" x 1/8" angles for mounting planks joined by two 3/16" x 1-1/2" steel straps provided for attachment of diagonal braces.
- Frames are supported by two diagonal braces of 1-5/16" O.D. steel pipe that connect to the table top.
- All fasteners are provided for assembly.
- Grill rotates a continuous 360 degrees on a theft-proof mount by means of a 3-1/2" dia. steel tube welded to a 1/4" x 6" steel plate that bolts to the top frame. Grill mounting bracket can be located in the center of table allowing space for four top planks, or at either end of the table allowing space for five top planks providing maximum 20" x 48" work area.
- **Model GS/G-5** has a nom. 64" length and 22-1/2" width not including overhang of grill.
- Table height is a nominal 30-1/2" from ground level to table top. Grill height is 36" from ground to bottom of firebox. (Cooking grate height varies with choice of grill.)
- **Standard:** All steel frame components are hot-dip galvanized after fabrication to ASTM-A123 to maintain an average zinc coating of 2.0 oz. per sq. ft. of surface area (indicated by "/G" in model no., e.g. GS/G-5TP).
- **Standard:** Lumber is Treated #1 grade Southern Yellow Pine (indicated by "TP" in model no., e.g. GS/G-5TP) 2" x 10" nominal sized planks, kiln dried after treatment (KDAT) to preserve wood against decay. All lumber is precision drilled to facilitate assembly and has all exposed edges removed to a 3/8" radius.
- **Optional:** All steel frame components have powder coat finish. See Specification Bulletin #SPC-CO-001.
- **Optional:** Untreated #1 Southern Yellow Pine is readily available and is kiln dried to reduce moisture content. (To specify, change "TP" in model no. to "UP", e.g. GS/G-5UP.)
- **Optional:** Top is made of 100% Recycled Plastic molded into 2" x 10" nominal sized planks with solid Cedar color (indicated by PC in model no., e.g. GS/G-5PC) formed throughout and a U.V. stabilizer added for ultra-violet protection.
- **Optional:** Color choices of Recycled Plastic components. See Specification Bulletin #SPC-CO-001.
- **Optional:** Grill choices include Models; A-20, B-24, EC-26, J-20, K-20, N-20, N-24, Q-20, or Q-24. Must be ordered separately.

RJThomas Mfg. Co., Inc.

PO Box 946 • Cherokee, IA 51012-0946 • PH: 712-225-5115 • 800-762-5002 • FAX: 712-225-5796
 E-mail: pilotrock@rjthomas.com • Web Site: <http://www.pilotrock.com>

© 2008 RJThomas Mfg. Co., Inc. PILOT ROCK® Park Products is a registered trademark of RJThomas Mfg. Co., Inc.

| MAXIMUM OVERALL DIMENSIONS WITH GRILL WITHOUT SHELF OR RAIN COVER | | | | | |
|--|------|------|-------|---------------|---------|
| DIM | A-20 | B-24 | EC-26 | J, K, N, Q-20 | N, Q-24 |
| a | 72 | 74 | 77 | 72 | 73 |
| b | 31 | 34 | 39 | 30 | 31 |



ALL DIMENSIONS IN INCHES

RJ Thomas Mfg. Co., Inc.
P.O. Box 946 • Cherokee, IA 51012-0946

DRAWN BY
WWM

TITLE GS SERIES MODEL GS/G-5TP GRILL STATION WITH TREATED PINE PLANKS
- SHOWN WITH MODEL A-20 PREMIER GRILL

DATE 2-20-09

DWG. NO.

AI-1859