



*Model H-16 B6 Grill*

- **Grate tips out of the way for fire building and cleaning**
- **Grate is permanently attached to the grill with retainer bars**
- **Four cooking height levels**
- **Grate supported at four points on three sides of the firebox**
- **Integral ash retainer flange combats heat warpage and prevents ashes from falling from the firebox**
- **Full 360° rotation for draft control**
- **Public use-type grips of coiled steel bar**
- **Economic design, quality construction**

## **SPECIFICATIONS:**

- **Model H-16 B6** has a 250 sq. in. grate that adjusts to 4 levels in a 16" x 16" firebox with 8" sides.
- Firebox and swivel mechanism are constructed entirely of 3/16" steel plate with integral ash flange die-formed into front edge of firebox to retain ashes and provide reinforcement. All exposed corners are rounded to 1-1/2" radius and all edge connections are entirely welded. Allowance for drainage is provided.
- Removal of grate from firebox is prevented by 2 steel retainer bars that allow grate to be tipped vertically for cleaning or fire building and prevent grate from falling into ashes.
- Grate is constructed from 5/8" dia. A-36 steel bar around the perimeter and handles and 1/2" dia. A-36 steel bars to provide the grate surface.
- Grate is provided with two substantially constructed spring coil grips suitable for public use made from 1/8" x 1/2" steel flat bar (not wire springs).
- Grill is permanently attached after base installation by means of absolutely theft-proof base attachment allowing continuous rotation of grill in either direction.
- **Standard:** Grill is supported by a 2-3/8" x 40" long steel pipe for permanent installation in concrete footing. (Indicated by B6 in model no., e.g. H-16 B6)
- Entire unit is finished in high temperature, heat resistant, nontoxic black enamel.
- **Optional:** Grill is provided with a 1/4" x 8" x 8" bolt-down base plate base with four 25/32" dia. holes for hard surface mounting applications. Replace "B6" in model no. with "B17", e.g. H-16 B17.

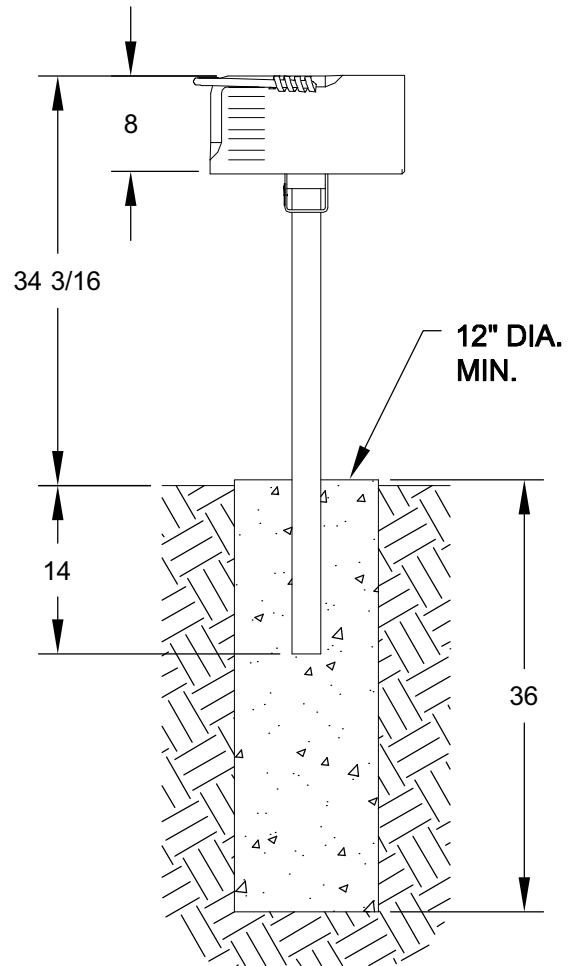
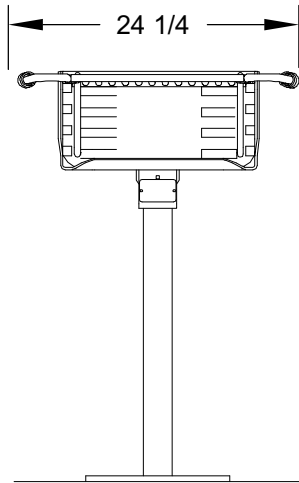
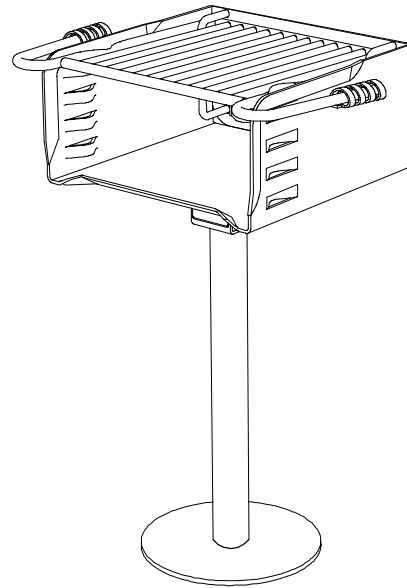
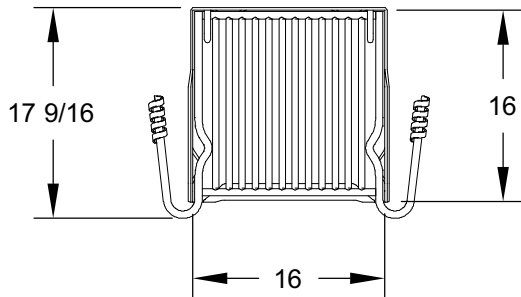
## **AVAILABLE OPTIONS**

**Surface mount Base (B17)**

**RJThomas Mfg. Co., Inc.**

PO Box 946 • Cherokee, IA 51012-0946 • PH: 712-225-5115 • 800-762-5002 • FAX: 712-225-5796  
E-mail: pilotrock@rjthomas.com • Web Site: <http://www.pilotrock.com>

© 2008 RJThomas Mfg. Co., Inc. PILOT ROCK® Park Products is a registered trademark of RJThomas Mfg. Co., Inc.



NOTE:  
LOCAL SOIL CONDITIONS MAY  
REQUIRE A LARGER FOOTING

ALL DIMENSIONS IN INCHES

**RJThomas**  
**Mfg. Co., Inc.**  
P.O. Box 946  
Cherokee, IA 51012

TITLE **MODEL H-16 PARK GRILL - SHOWN WITH B6 BASE**

DRAWN BY	<b>WWM</b>
DATE	<b>10-22-08</b>
DWG. NO.	<b>AI-1400</b>