

# MODEL J-20 MULTILEVEL PARK GRILL



Model J-20 B2 Grill

- **Grate tips out of the way for fire building and cleaning**
- **Grate is permanently attached to the grill with retainer bars**
- **Four cooking height levels**
- **Grate supported at four points on three sides of the firebox**
- **Integral ash retainer flange combats heat warpage and prevents ashes from falling from the firebox**
- **Theft-proof base attachment**
- **Full 360° rotation for draft control**
- **Public use-type spring grips of coiled steel bar**
- **Economic design, quality construction**

## AVAILABLE OPTIONS

- Hot Plate Grate
- 2-3/8" O.D. Steel Pipe Base
- Portable Disk Base
- Bolt-down Base Plate Base
- Swivel shelf

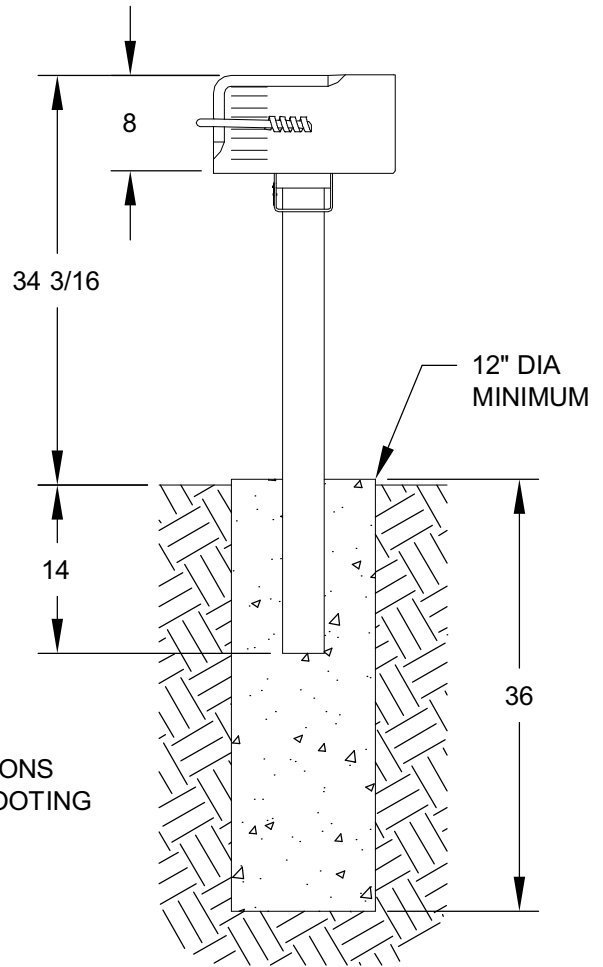
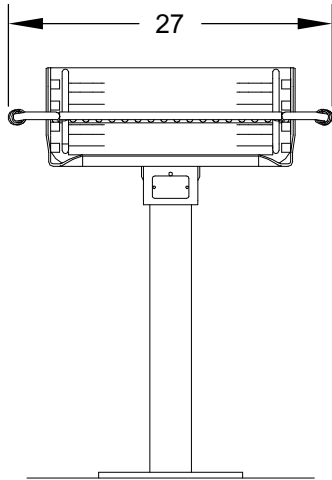
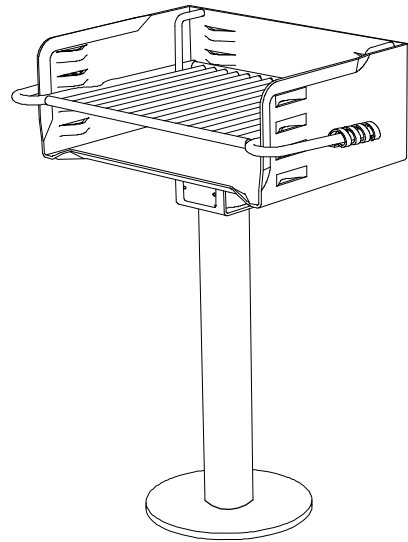
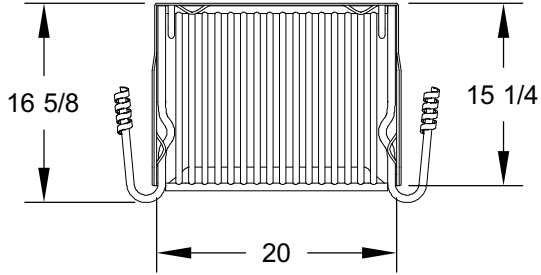
## SPECIFICATIONS:

- **Model J-20 B2** has a 300 sq. in. grate that adjusts to 4 levels in a 15" x 20" firebox with 8" sides.
- Firebox and swivel mechanism are constructed entirely of 3/16" steel plate with integral ash flange die-formed into front edge of firebox to retain ashes and provide reinforcement. All exposed corners are rounded to 1-1/2" radius and all edge connections are entirely welded. Allowance for drainage is provided.
- Removal of grate from firebox is prevented by 2 steel retainer bars that allow grate to be tipped vertically for cleaning or fire building and prevent grate from falling into ashes.
- Grate is constructed from 5/8" dia. A-36 steel bar around the perimeter and handles and 1/2" dia. A-36 steel bars to provide the grate surface.
- Grate is provided with two substantially constructed spring coil grips suitable for public use made from 1/8" x 1/2" steel flat bar (not wire springs).
- Grill is permanently attached after base installation by means of absolutely theft-proof base attachment allowing continuous rotation of grill in either direction.
- **Standard:** Grill is supported by a 3-1/2" O.D., 40" long, steel pipe for permanent installation in concrete footing (indicated by B2 in model no., e.g. J-20 B2).
- Entire unit is finished in high temperature, heat resistant, nontoxic black enamel.
- **Optional:** Grill is provided with a hot plate grate in place of standard grate, which provides a 3/16" x 8" x 15" steel hot plate in place of a number of grate bars on one side of the grate. (Add /HP to model no., e.g. J-20/HP B2.)
- **Optional:** Grill is provided with a 2-3/8" O.D. x 40" steel pipe base. Replace "B2" in model no. with "B6", e.g. J-20 B6.
- **Optional:** Grill is provided with a bolt-down base plate base for hard surface mounting applications. Replace "B2" in model no. with "B3", e.g. J-20 B3.
- **Optional:** Grill is provided with a portable disc base. Replace "B2" in model no. with "B4", e.g. J-20 B4.
- **Optional: Model S6** 8" x 16" swivel shelf is available as an additional item. Shelf must be installed on base post before grill. Order as separate item.

RJThomas Mfg. Co., Inc.

PO Box 946 • Cherokee, IA 51012-0946 • PH: 712-225-5115 • 800-762-5002 • FAX: 712-225-5796  
E-mail: pilotrock@rjthomas.com • Web Site: <http://www.pilotrock.com>

© 2008 RJThomas Mfg. Co., Inc. PILOT ROCK® Park Products is a registered trademark of RJThomas Mfg. Co., Inc.



NOTE: LOCAL SOIL CONDITIONS  
MAY REQUIRE A LARGER FOOTING

ALL DIMENSIONS IN INCHES

**RJThomas**  
**Mfg. Co., Inc.**  
P.O. Box 946  
Cherokee, IA 51012

TITLE MODEL J-20 PARK GRILL - SHOWN WITH B2 BASE

DRAWN BY	<b>WWM</b>
DATE	<b>10-24-08</b>
DWG. NO.	<b>AI-1401</b>