

MODEL L-1500/S SHELTERHOUSE GRILL



Model L-1500/SS B8 with Optional Second Side Utility Shelf

- **Two spacious cooking grates tip back to allow easy fire building**
- **Cooking grates supported by formed side edges and steel angles on ends which also reinforce firebox**
- **Single large fire grate mounted in die-cut slots easily adjusts to four levels under cooking grates**
- **Front edge of fire grate formed up to prevent charcoal or logs from rolling off**
- **Integral ash retainer flange combats heat warpage and prevents ashes from falling from the firebox**
- **Firebox reinforcing gussets on underside**
- **Theft-proof base attachment**
- **Full 360° rotation for draft control**
- **Public use-type spring grips of coiled steel bar**
- **Second utility shelf option**
- **Quality construction throughout**

AVAILABLE OPTIONS

Second Side Utility Shelf
Portable Caster Base
Embedded Base

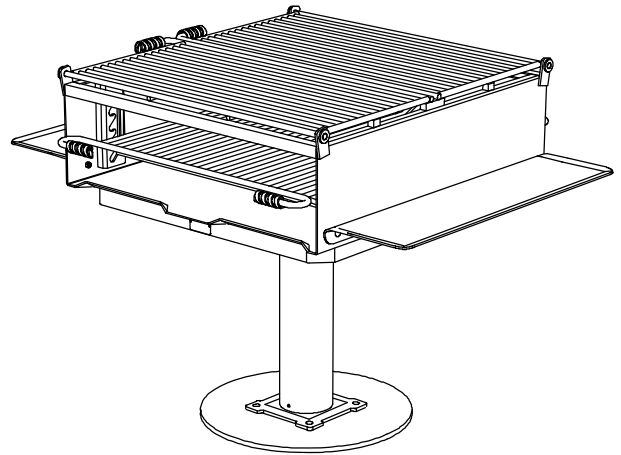
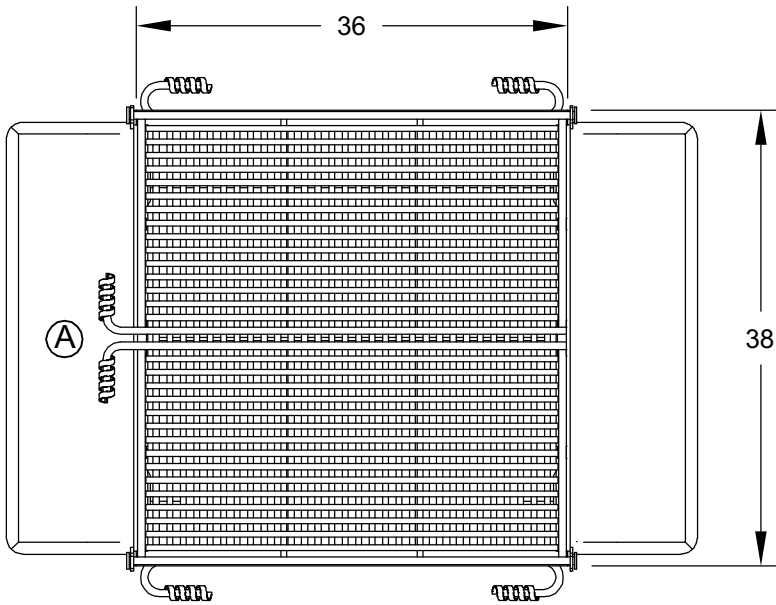
SPECIFICATIONS:

- **Model L-1500/S B8** overall dimensions are 44" x 51" (with 1 shelf) x 40" high.
- Two grates total 1350 sq. in. of cooking area hinged to the top of a 36" x 38" x 12" firebox.
- Firebox is constructed of 3/16" plate steel reinforced by four 3/16" gussets on underside and by 3/16" x 1-1/4" x 1-1/4" angle across ends. Two integral ash flanges are formed at open ends of firebox to retain ashes and provide reinforcement. All exposed corners are rounded to 1-1/2" radius.
- Cooking grates are constructed of 5/8" dia. A-36 steel bars around perimeter and for handles and 1/2" dia. A-36 steel bars spaced 1-1/8" on centers to provide the cooking surface. Cooking grates are hinged to tip back for easy fire building.
- Fire grate is constructed of 5/8" dia. A-36 steel bars for handles and 1/2" dia. A-36 steel bars for grate surface and reinforced by three 1/4" x 1-1/2" steel flat bars. Fire grate is supported in four locations and adjust to four levels from 4-1/4" to 9-1/2" from bottom of cooking grates and are not removable from firebox. Grate bars are formed up at each end to prevent charcoal or log roll out.
- Cooking and fire grate handles shall be provided with a total of six coil spring grips suitable for public use made from 1/8" x 1/2" steel flat bar (not wire springs).
- Grill is permanently secured after base installation by means of absolutely theftproof base attachment allowing continuous rotation of grill in either direction.
- **Standard:** Grill base is 6" O.D. steel pipe welded to 3/8" x 10" x 10" steel base plate base providing four corner holes for concrete installation with four 1/2" x 6" anchor bolts provided (indicated by B8 in model no., e.g. L-1500/S **B8**).
- Entire unit is finished in high temperature, heat resistant, nontoxic black enamel.
- **Optional:** Grill is provided with a Portable Caster Base. To specify, change B8 in model no. to B11, e.g. L-1500/S **B11**.
- **Optional:** Grill is provided with a 6" O.D. x 40" long round steel pipe post base designed to be embedded in a concrete footing for permanent installation. To specify change "B8" in model no. to "B16", e.g. Model L-1500/S **B16**.
- **Standard:** Grill is provided with 1 bolt-on, 3/16" x 12" x 36" steel plate, side utility shelf (indicated by /S in model no., e.g. L-1500/S B8).
- **Optional:** Grill is provided with an additional bolt-on, 3/16" x 12" x 36" steel plate, side utility shelves (change /S in model no. to /SS, e.g. L-1500/SS B8).

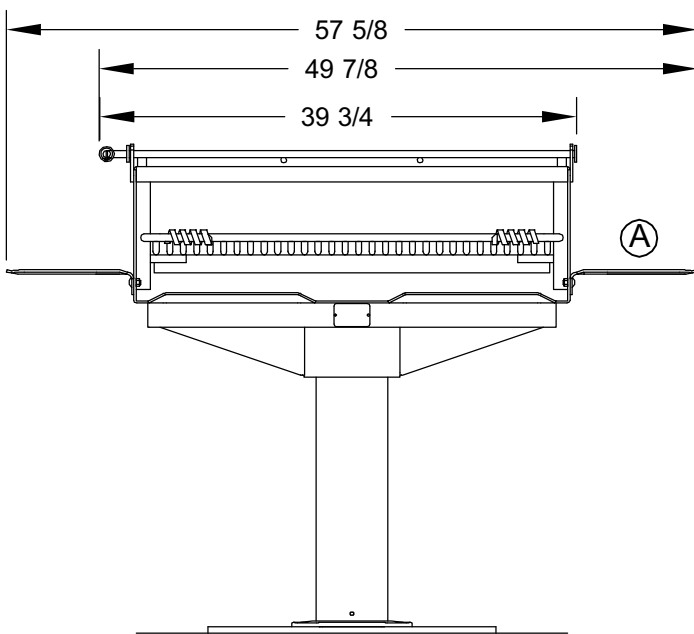
RJ Thomas Mfg. Co., Inc.

PO Box 946 • Cherokee, IA 51012-0946 • PH: 712-225-5115 • 800-762-5002 • FAX: 712-225-5796
E-mail: pilotrock@rjthomas.com • Web Site: <http://www.pilotrock.com>

© 2012 RJ Thomas Mfg. Co., Inc. PILOT ROCK® Park Products is a registered trademark of RJ Thomas Mfg. Co., Inc.



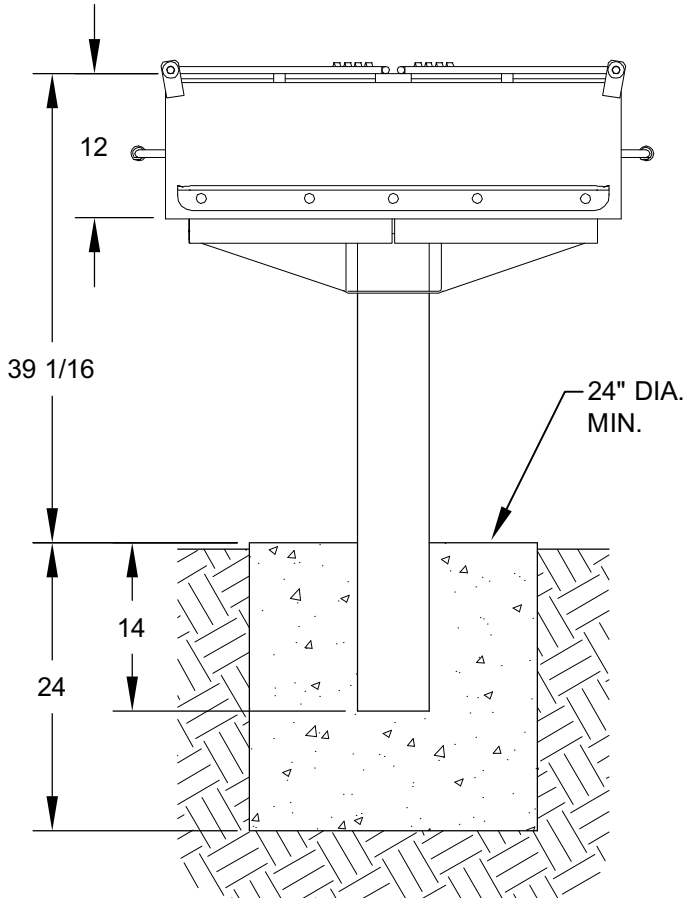
STANDARD B8 SURFACE MOUNT INSTALLATION



STANDARD B8 SURFACE MOUNT INSTALLATION

NOTE:
LOCAL SOIL CONDITIONS MAY
REQUIRE A LARGER FOOTING

(A) OPTIONAL SECOND BOLT-ON SIDE UTILITY
SHELF - CHANGE /S TO /SS IN MODEL NO.
(ONE BOLT-ON SHELF IS STANDARD
-S IN MODEL NO.)



OPTIONAL B16 EMBEDDED
POST INSTALLATION

ALL DIMENSIONS IN INCHES

RJThomas Mfg. Co., Inc. P.O. Box 946 Cherokee, IA 51012	TITLE MODEL L-1500/S B8 LARGE GROUP PARK GRILL - SHOWN WITH OPTIONAL SECOND SIDE UTILITY SHELF AND OPTIONAL EMBEDDED INSTALLATION	DRAWN BY WWM
		DATE 02-13-12
		DWG. NO. AI-1402