



Model N/G-24/SG B2G Grill with Optional Utility Back Shelf

- **Hot-dip galvanized for extended life**
- **Four cooking height levels with easy grate adjustment in slots die-cut from the steel sides of grill box**
- **Firebox is reinforced with flares die-formed into front edges of side panels**
- **Integral ash retainer flange combats heat warpage and prevents ashes from falling from the firebox**
- **Theft-proof base attachment**
- **Full 360° rotation for draft control**
- **Public use-type spring grips of coiled steel bar**
- **Economic design, quality construction**
- **Utility shelf option**

SPECIFICATIONS:

- **Model N/G-24 B2G** has a 432 sq. in. grate that adjusts to 4 levels between 3-1/2" and 8-3/4" above the firebed in a 18" x 24" x 10" high firebox.
- The firebox is constructed entirely of 3/16" plate steel with integral ash flange die-formed into front edge to retain ashes and provide reinforcement. Panel reinforcing flares are die-formed into the front edges of both side panels. All exposed corners are rounded to 1-1/2" radius and all edge connections are entirely welded. Allowance for drainage is provided. Unit is hot-dip galvanized per ASTM A-123.
- The grate is constructed from 5/8" dia. A-36 steel bars for support handles and 1/2" dia. A-36 steel bars spaced 1-1/8" on centers to provide the grate surface and is permanently attached to firebox.
- Grate is provided with two substantially constructed spring coil grips suitable for public use made from 1/8" x 1/2" steel flat bar (not wire springs).
- Grill is permanently attached after base installation by means of absolutely theft-proof base attachment allowing continuous rotation of grill in either direction.
- **Standard:** Grill is supported by a 3-1/2" O.D. x 40" long galvanized steel pipe for permanent installation in concrete footing (indicated by "B2G" in model no., e.g. NG-24/G **B2G**).
- Grate is finished in high temperature, heat resistant, nontoxic black enamel.
- **Optional: Model S3/G** is a 3/16" x 7" x 19-1/4" hot-dip galvanized steel plate utility shelf (add "/SG" to model no., e.g. NG-24/G/**SG** B2G).
- **Optional:** The rear hinged Grill Cover is a 24" x 18-3/8" x 6-5/8" hot dip galvanized canopy with enclosed ends constructed of formed and welded 14 ga. steel. Two 3/8" carriage bolts with locking nuts act as the hinge points. A handle constructed of a 1/8" x 1/2" coil spring grip and 1/2" dia. steel bars attached to one side of the cover. Cover can not be used with optional Model S3/G shelf. Order as separate item, GC/G-2.

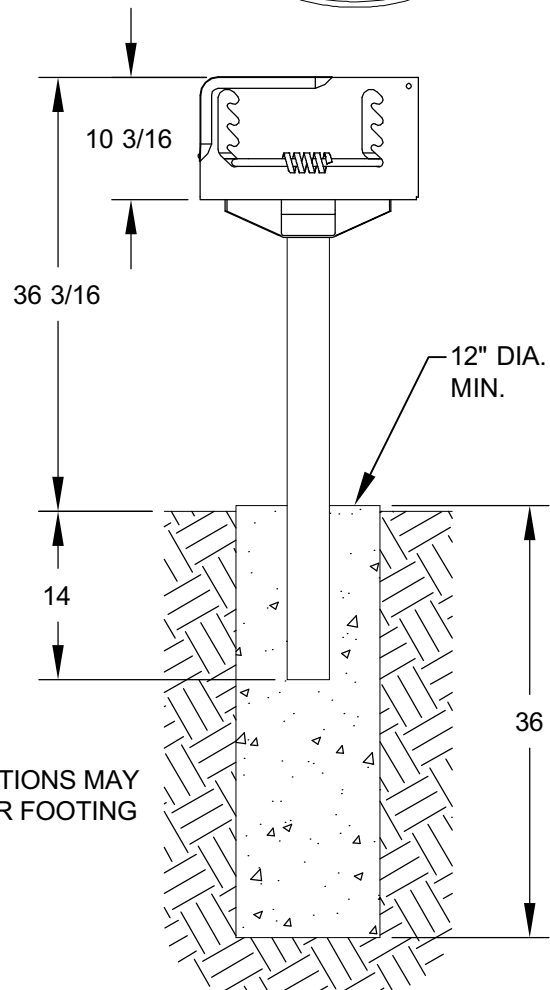
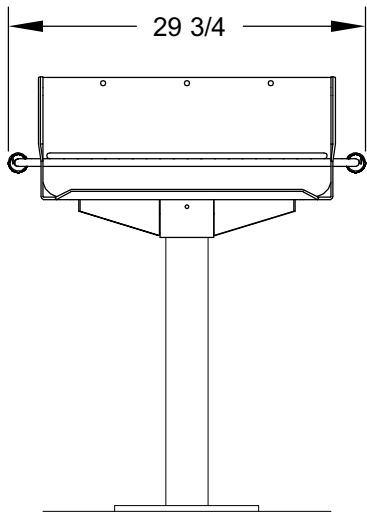
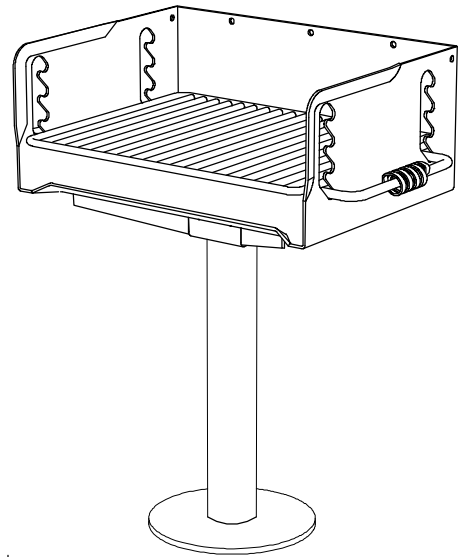
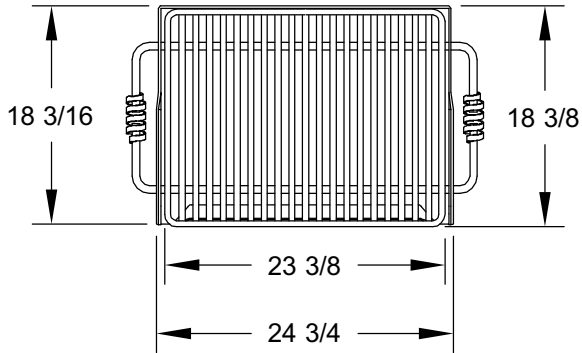
AVAILABLE OPTIONS

- Galvanized Back Utility Shelf
- Galvanized Grill Cover

RJ Thomas Mfg. Co., Inc.

PO Box 946 • Cherokee, IA 51012-0946 • PH: 712-225-5115 • 800-762-5002 • FAX: 712-225-5796
E-mail: pilotrock@rjthomas.com • Web Site: <http://www.pilotrock.com>

© 2008 RJ Thomas Mfg. Co., Inc. PILOT ROCK® Park Products is a registered trademark of RJ Thomas Mfg. Co., Inc.



NOTE:
LOCAL SOIL CONDITIONS MAY
REQUIRE A LARGER FOOTING

ALL DIMENSIONS IN INCHES

RJThomas
Mfg. Co., Inc.
P.O. Box 946
Cherokee, IA 51012

TITLE **MODEL N/G-24 PARK GRILL HOT DIP GALVANIZED FIRE
BOX WITH B2G GALVANIZED BASE**

DRAWN BY	WWM
DATE	10-25-10
DWG. NO.	AI-1965