

Model OWRB 4 and 6 Foot Single Pedestal Contour Bench with Recycled Plastic Timbers



Model OWRB3/P/CW-6PC34 6 Ft. Surface Mount Single Pedestal Bench with brown powder coated frame and cedar colored recycled plastic 3" x 4" timbers. Shown with optional surface mount base plate.

- **Sturdy, formed and welded steel construction**
- **Contour design with Bull-nosed top and front timbers**
- **100% Recycled Plastic seat timbers with solid color and U.V. stabilizer for ultraviolet protection**
- **Precision drilled 3" x 4" Timbers**
- **Quality construction throughout**

SPECIFICATIONS:

- **Model OWRB Series** frame is a one-piece welded construction with 4" x 4" square steel post, a 2-1/2" x 2-1/2" square tube cross-arm, and seat brackets constructed of 3/8" x 4" A-36 flat steel bar, die-formed for shape and reinforcement, to mount eight 3" x 4" timbers.
- Bench is designed to be permanently anchored by embedding frame post in concrete footing.
- **Model OWRB-4** is a nom. 4 ft. in length with two seat brackets.
- **Model OWRB3-6** is a nom. 6 ft. in length with three seat brackets.
- **Standard:** All steel frame components are hot-dip galvanized after fabrication to ASTM-A123 to maintain an average zinc coating of 2.0 oz. per sq. ft. of surface area (indicated by "/G" in model no., e.g. OWRB/G-4PC34).
- **Standard:** Seat is made of 100% Recycled Plastic molded into 3" x 4" nominal sized timbers with solid Cedar color (indicated by "PC34" in model no., OWRB/G-4PC34) formed throughout and a U.V. stabilizer added for ultra-violet protection. All timbers are precision drilled for assembly; and have all exposed edges removed to a 3/8" radius. Front and rear timbers have a bull-nose radius on outside edges.
- All fasteners are provided for assembly.
- **Optional:** Frame is provided with a 3/8" x 10" x 10" steel base plate with four 25/32" holes to secure bench to existing concrete pad. To specify add "/P" after the OWRB in the model no., e.g. OWRB/P/G-4PC34. (Anchor bolts not included.)
- **Optional:** Color choices of powder coated steel frame components. For optional colors choices see Specification Bulletin #SPC-CO-001.
- **Optional:** Color choices of Recycled Plastic components. For optional colors choices see Specification Bulletin #SPC-CO-001.
- **Optional:** In lieu of carriage bolts, zinc plated lag screws shall be provided for timber connections – please specify when ordering.

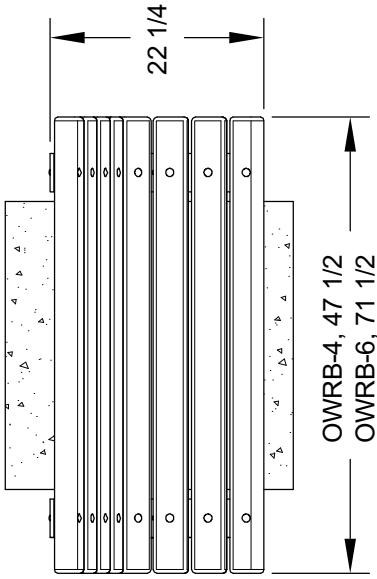
AVAILABLE OPTIONS

- 4' or 6' models
- Powder Coat Finish in choice of colors for steel frame components
- Choice of colors of Recycled Plastic
- Surface Mount Base Plate
- Routed Lettering available (call for details)
- Armrests

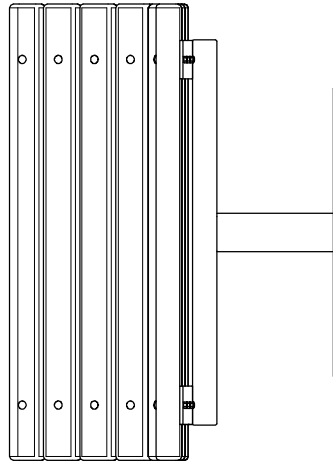
RJ Thomas Mfg. Co., Inc.

PO Box 946 • Cherokee, IA 51012-0946 • PH: 712-225-5115 • 800-762-5002 • FAX: 712-225-5796
E-mail: pilotrock@rjthomas.com • Web Site: <http://www.pilotrock.com>

© 2008 RJ Thomas Mfg. Co., Inc. PILOT ROCK® Park Products is a registered trademark of RJ Thomas Mfg. Co., Inc.

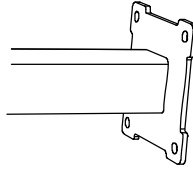


OWRB-4, 47 1/2
OWRB-6, 71 1/2

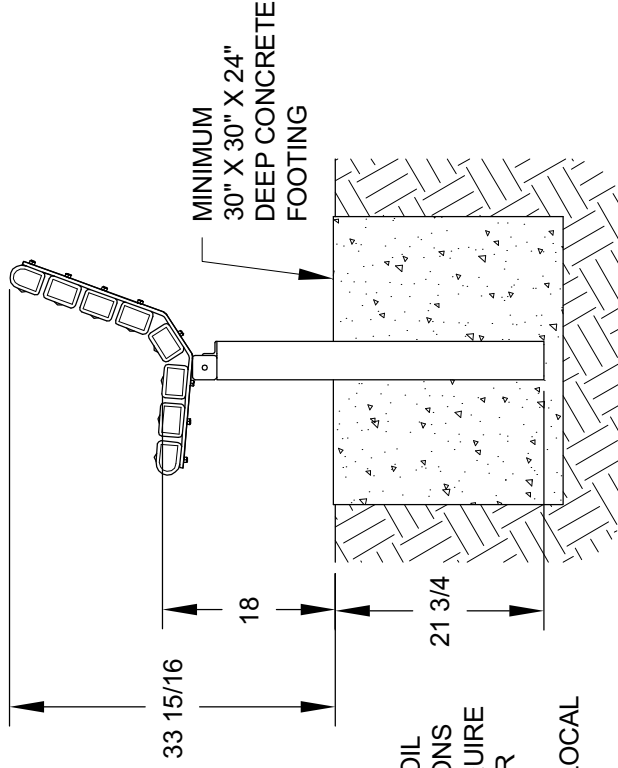
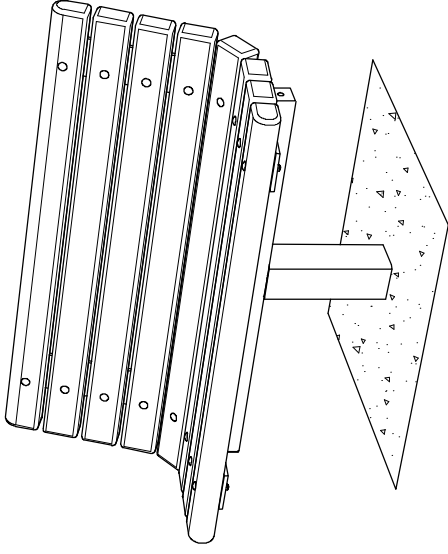


4 FOOT MODEL OWRB
HAS TWO SEAT
BRACKETS

6 FOOT MODEL OWRB3
HAS AN ADDITIONAL
CENTER SEAT BRACKET



OPTIONAL
3/8" X 10" X 10"
SURFACE MOUNT
BASE PLATE WITH
FOUR 25/32" DIA. HOLES



MINIMUM
30" X 30" X 24"
DEEP CONCRETE
FOOTING

NOTE:
LOCAL SOIL
CONDITIONS
MAY REQUIRE
A LARGER
FOOTING
(CHECK LOCAL
CODES)

ALL DIMENSIONS IN INCHES

RJThomas Mfg. Co., Inc.
P.O. Box 946 • Cherokee, IA 51012-0946

DRAWN BY
WWM

TITLE OWRB SERIES 4 AND 6 FOOT EMBEDDED MOUNT SINGLE PEDESTAL CONTOUR
BENCH WITH RECYCLED PLASTIC SEAT

DATE 4-27-11

DWG. NO.

AI-2008