



Model P-1000/S B7 large group grill

- **Two independently adjustable cooking grates**
- **Four cooking height levels with easy grate adjustment in slots die-cut from the steel sides of firebox**
- **Integral ash retainer flange combats heat warpage and prevents ashes from falling from the firebox**
- **Firebox reinforcing gussets on underside and reinforcing formed offsets on all exposed edges and corners**
- **Theft-proof base attachment**
- **Full 360° rotation for draft control**
- **Public use-type spring grips of coiled steel bar**
- **Bolt-on side utility shelf**
- **Economic design**
- **Quality construction throughout**

AVAILABLE OPTIONS

Three optional sizes of bolt-on utility shelves
Portable Caster Base
Embedded Base

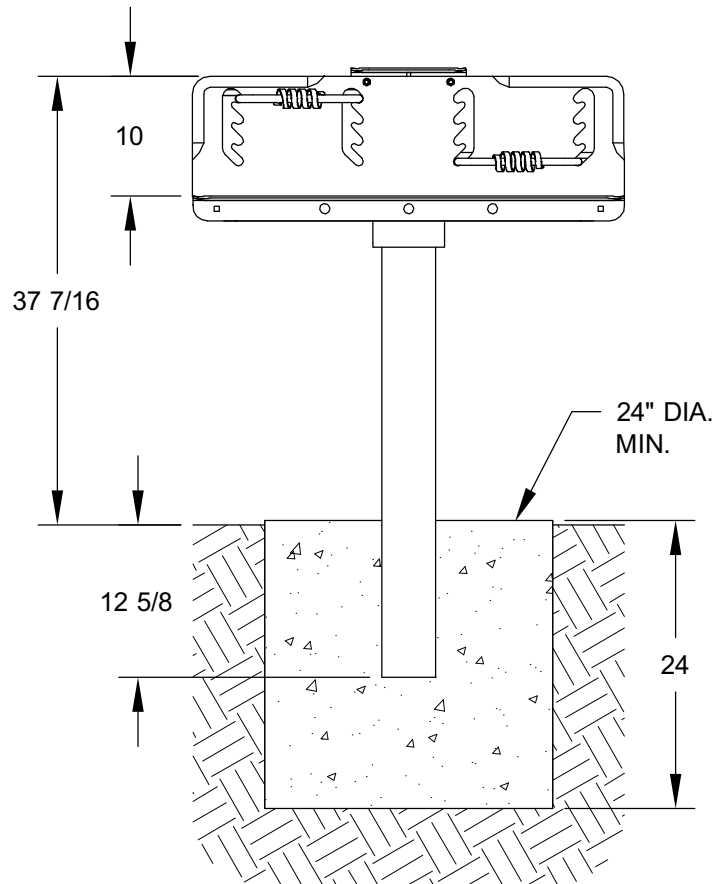
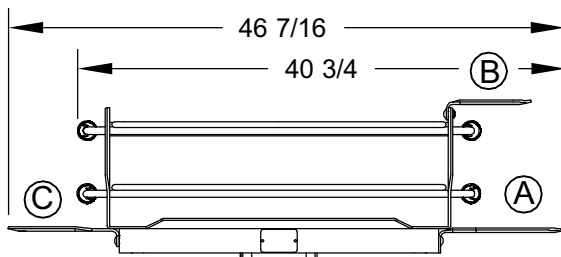
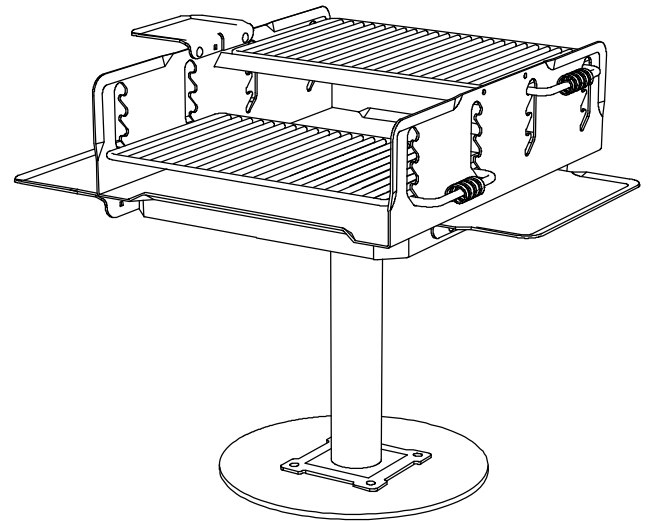
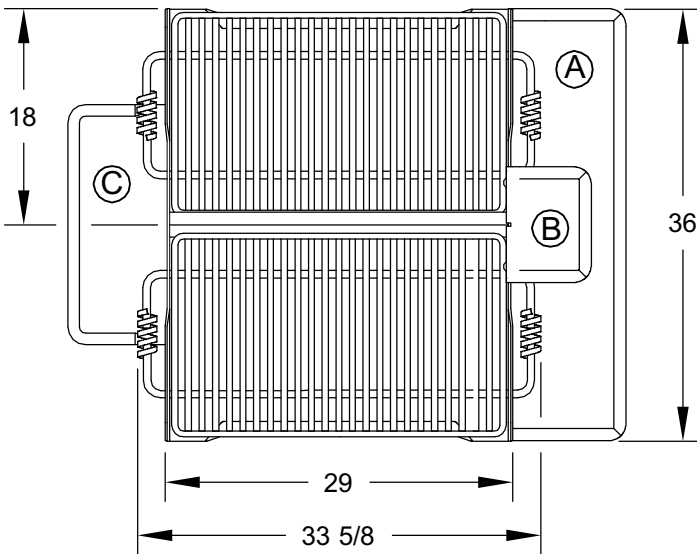
SPECIFICATIONS:

- **Model P-1000 B7** has two individual cooking grates providing 504 sq. in. of grate surface each, for a total of 1008 sq. in., mounted in a 28" x 36" x 10" high firebox.
- Firebox is constructed of 3/16" plate steel with integral ash flange die-formed into edges of open ends to retain ashes and provide reinforcement. Firebox is ring reinforced, with four 3/16" steel gussets on underside. All exposed edges are rounded to 1-1/2" radius and exposed edges and corners are stiffened by a formed offset in excess of the material thickness. All exposed edges are mechanically deburred and all edge connections are continuously welded.
- Grates are made with a one-piece, formed perimeter bar and grate bars, spaced 1-1/8" on centers, all of 1/2" dia. A-36 steel bar and support handles of 5/8" dia. A-36 steel bars.
- Each grate is supported in four locations and adjust independently to four levels between 3-1/2" to 8-3/4" above firebed.
- Grate handles are provided with two substantially constructed coil spring grips suitable for public use made from 1/8" x 1/2" steel flat bar (not wire springs).
- Grill is permanently secured after base installation by means of absolutely theftproof base attachment allowing continuous rotation of grill in either direction.
- **Standard:** Grill base is 4-1/2" O.D. steel pipe welded to 3/8" x 10" x 10" steel base plate providing four corner holes for concrete installation with four 1/2" x 6" anchor bolts provided (indicated by "B7" in model no., e.g. P-1000/S B7).
- **Standard:** Grill is provided with 1 bolt-on, 3/16" x 12" x 36" steel plate, side utility shelf (indicated by "/S" in model no., e.g. P-1000/S B7; change "/S" to "/SS" for 2 shelves).
- Entire unit is finished in high temperature, heat resistant, nontoxic black enamel.
- **Optional:** Grill is provided with a Portable Caster Base. To specify change "B7" in model no. to "B15", e.g. Model P-1000/S B15.
- **Optional:** Grill is provided with a 4-1/2" OD round steel pipe post base designed to be embedded in a concrete footing for permanent installation. To specify change "B7" in model no. to "B13", e.g. Model P-1000/S B13.
- **Optional:** (1) or (2) bolt-on side shelves for the bottom side of the grill box, each 3/16" x 9" x 20" steel plate.
and/or:
(1) or (2) bolt-on side shelves for the top side of the grill box, each 3/16" x 7-1/8" x 9-5/8" steel plate.
(Please inquire about model numbers to specify these shelves.)

RJ Thomas Mfg. Co., Inc.

PO Box 946 • Cherokee, IA 51012-0946 • PH: 712-225-5115 • 800-762-5002 • FAX: 712-225-5796
E-mail: pilotrock@rjthomas.com • Web Site: <http://www.pilotrock.com>

© 2012 RJ Thomas Mfg. Co., Inc. PILOT ROCK® Park Products is a registered trademark of RJ Thomas Mfg. Co., Inc.



NOTE:
LOCAL SOIL
CONDITIONS MAY
REQUIRE A
LARGER FOOTING

B7 SURFACE MOUNT
INSTALLATION

OPTIONAL B13 EMBEDDED
INSTALLATION

- NOTE:
- (A) THE P-1000/S PARK GRILL IS STANDARD WITH (1) MODEL S4 SIDE SHELF. A SECOND S4 SHELF MAY BE MOUNTED ON THE OPPOSITE SIDE OF THE GRILL BOX. IN ADDITION, (2) OTHER SIZES OF SHELVES MAY BE MOUNTED ON THE GRILL BOX:
 - (B) MODEL S1 SHELF: 3/16" x 7-1/8" x 9-5/8" -MAY BE MOUNTED ON ONE OR BOTH TOP SIDES OF THE GRILL BOX
 - (C) MODEL S2 SHELF: 3/16" x 9" x 20" -MAY BE MOUNTED ON ONE OR BOTH SIDES AT THE BOTTOM OF THE GRILL BOX IN THE SAME LOCATION AS THE STANDARD MODEL S4 SHELF

FOR MORE INFORMATION ON P-1000 SHELF CHOICES AND MOUNTING LOCATIONS PLEASE REQUEST FORM ASM-1009.

ALL DIMENSIONS IN INCHES

RJThomas
Mfg. Co., Inc.
P.O. Box 946
Cherokee, IA 51012

TITLE **MODEL P-1000 LARGE GROUP PARK GRILL WITH B7 BASE -
SHOWN WITH STANDARD UTILITY SHELF AND TWO
OPTIONAL UTILITY SHELVES**

| | |
|----------|-----------------|
| DRAWN BY | WWM |
| DATE | 02-13-12 |
| DWG. NO. | AI-1404 |