

## Model PCXB Portable or Surface Mount 4 and 6 Ft. Bench with Recycled Plastic Back and Seat



**Model PCXB/G-4PN24** Surface Mount Bench  
with hot-dip galvanized frames,  
4 ft. long with green recycled plastic 2" x 4" slats.  
Shown with optional engraved signage.

- **Extra heavy design to be stronger and more stable with a simple, clean design.**
- **Sturdy, formed and welded steel frame construction**
- **Frames are Hot-Dip Galvanized after fabrication for superior corrosion resistance**
- **100% Recycled Plastic seat and back planks with solid color and U.V. stabilizer for ultraviolet protection**
- **Precision drilled plastic planks**
- **Quality construction throughout**

### SPECIFICATIONS:

- **Model PCXB** end frames are one-piece, welded construction with a back and seat bracket of 2-3/8" x 1-1/2" x 1/8" nominal sized, die-formed channel, and a 2.375" (2-3/8") O.D. post and foot to meet 2" nominal steel pipe size specifications. Frame foot is formed with flattened and rounded ends. A 9/16" hole is provided in each end of foot for optional surface mounting with concrete anchors (anchors not included).
- **Model PCXB/G-4** is 4 ft. long (nom.) with two frames.
- **Model PCXB/G-6** is 6 ft. long (nom.) with three frames.
- **Standard:** Frames are hot-dip galvanized after fabrication to ASTM-A123 to maintain an average zinc coating of 2.0 oz. per sq. ft. of surface area (indicated by "/G" in model no., e.g. PCXB/G-4PC24).
- **Standard:** Back and seat are made of 100% Recycled Plastic molded into 2" x 4" nominal sized planks with solid Cedar color (indicated by "PC24" in model no., e.g. PCXB/G-4PC24) formed throughout and a U.V. stabilizer added for ultra-violet protection.
- All fasteners are provided for assembly.
- **Optional:** Color choices of powder coated steel frame components. For optional colors choices see Specification Bulletin #SPC-CO-001.
- **Optional:** Color choices of Recycled Plastic components. For optional colors choices see Specification Bulletin #SPC-CO-001.

### AVAILABLE OPTIONS

4' or 6' models

Powder Coat Finish in choice of colors for steel frame components

Choice of colors of Recycled Plastic

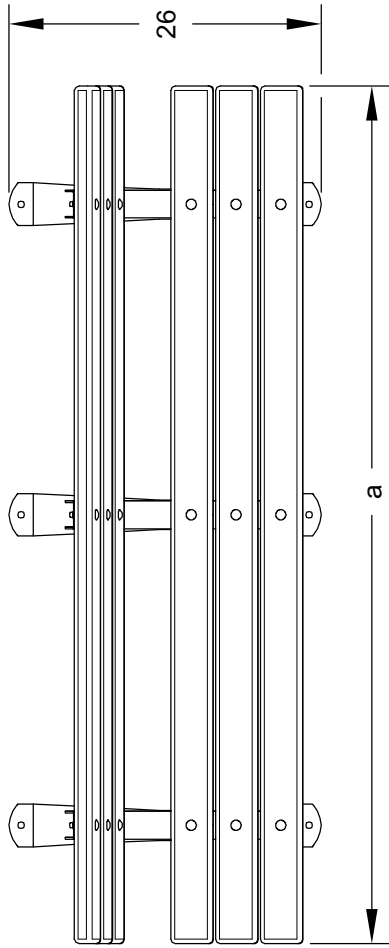
Routed Lettering available (call for details)

Armrests

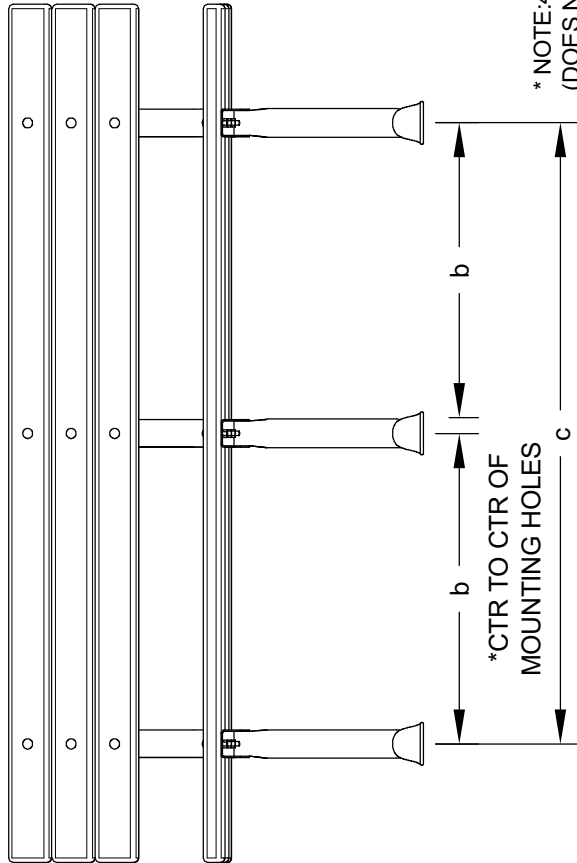
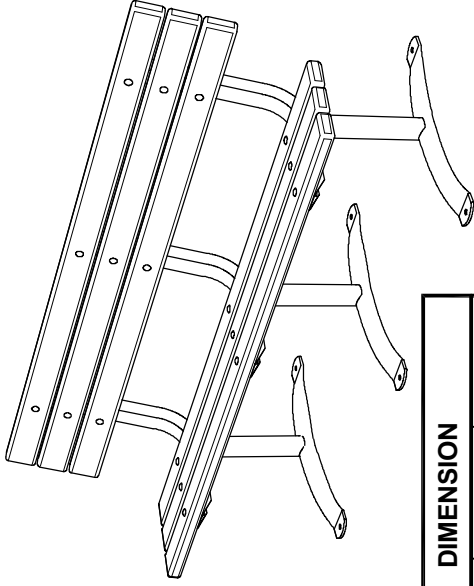
**RJ Thomas Mfg. Co., Inc.**

PO Box 946 • Cherokee, IA 51012-0946 • PH: 712-225-5115 • 800-762-5002 • FAX: 712-225-5796  
E-mail: pilotrock@rjthomas.com • Web Site: <http://www.pilotrock.com>

© 2008 RJ Thomas Mfg. Co., Inc. PILOT ROCK® Park Products is a registered trademark of RJ Thomas Mfg. Co., Inc.



MODEL NUMBER	DIMENSION		
	a	b	c
PCXB-4	47-1/2	N/A*	36
PCXB3-6	71-1/2	25-7/8	51-3/4

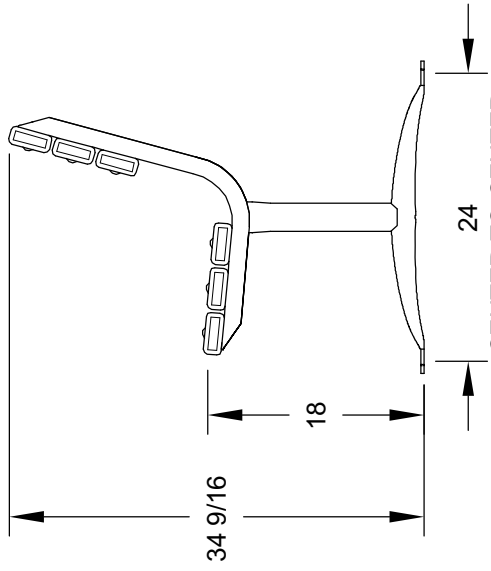


\*CTR TO CTR OF MOUNTING HOLES

\*CTR TO CTR OF MOUNTING HOLES

\* NOTE: 4 FT. LONG BENCH USES TWO FRAMES (DOES NOT HAVE CENTER FRAME)

ALL DIMENSIONS IN INCHES



CENTER TO CENTER OF MOUNTING HOLES

**RJ Thomas Mfg. Co., Inc.**  
 P.O. Box 946 • Cherokee, IA 51012-0946

DRAWN BY  
**WWM**

TITLE MODEL PCXB EXTRA HEAVY DUTY 4 AND 6 FOOT SURFACE MOUNT/PORTABLE BENCH WITH 2" X 4" RECYCLED PLASTIC PLANKS

DATE 5-10-11

DWG. NO. **AI-1631**