



*Model PQT3/CB-4PC 48" Square Top, Wheelchair Accessible,
Embedded Mount Table with Black Powder Coat Frame and
Cedar Recycled Plastic Top and Seats.*

- **Three seats and one open side for wheelchair access**
- **Square design optimizes table top usage and creates a more intimate setting**
- **Square table fits into more compact areas**
- **Permanent embedded mounting**
- **Sturdy 5-3/8" square center pedestal, 3-1/2" diameter round radial seat supports**
- **100% recycled plastic seat and top planks with solid color and U.V. stabilizer for ultraviolet protection**
- **Quality construction throughout**

SPECIFICATIONS:

- **Model PQT3/G-4** table frame incorporates a 5-3/8" square single pedestal post designed to embed into a concrete footing.
- Three seat support frames are each a one-piece welded construction of 3-1/2" dia. x 11 ga. wall structural steel tubing, a 2-3/8" dia. 10 ga. wall tube, and 2" x 2" x 1/8" die formed steel angles designed to resist lateral torsion and deflection when loaded.
- **Model PQT3/G-4** tables have been adapted for wheelchair accessibility. By removing one or more arm/seat structures the side of the table is opened to provide wheelchair access.
- Frame is designed in a theft-proof manner with all fasteners extending into the post to prevent removal after assembly.
- **Model PQT3/G-4** has a 48" (nom) square table top.
- Table height is 32-1/4" (nom). Seat height is 20-3/8" (nom).
- All galvanized fasteners are provided for table assembly.
- **Standard:** All frame components are hot-dip galvanized after fabrication to ASTM-A123 to maintain an average zinc coating of 2.0 oz. per sq. ft. of surface area (indicated by "/G" in model no., e.g. PQT3/G-4PC).
- **Standard:** Tops and seats are made of 100% Recycled Plastic molded into 2" x 10" nominal sized planks with solid Cedar color (indicated by "PC" in model no., e.g. PQT3/G-4PC) formed throughout and a U.V. stabilizer added for ultra-violet protection.
- **Optional:** Color choices of Recycled Plastic components. For optional colors choices see Specification Bulletin #SPC-CO-001.
- **Optional:** Color choices of powder coated steel frame components. For optional colors choices see Specification Bulletin #SPC-CO-001.
- **Optional:** Table is provided with umbrella holes in table tops and cup and collar sets for mounting umbrellas. To specify, add "/U" to the end of the model no., e.g. PQT3/G-4PC/U.
- **Optional:** Frame is provided with a 3/8" x 15-3/4" x 15-3/4" steel base plate to bolt table to existing concrete pad. To specify add "/P" after the "PQT" in the model no., e.g. PQT3/P/G-4PC. (Anchor bolts not included.)

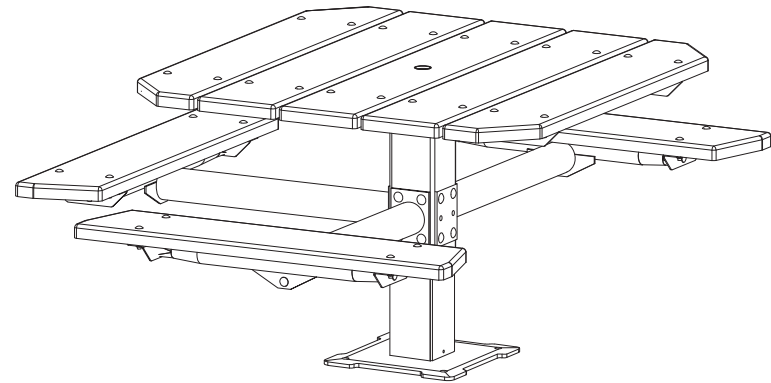
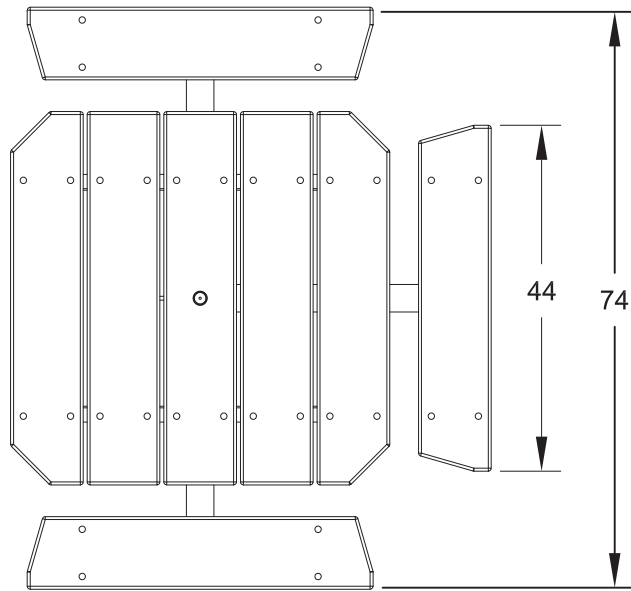
AVAILABLE OPTIONS

- Powder Coat Finish in choice of colors for steel frame components
- Choice of colors of Recycled Plastic
- Umbrellas
- Surface mount base plate

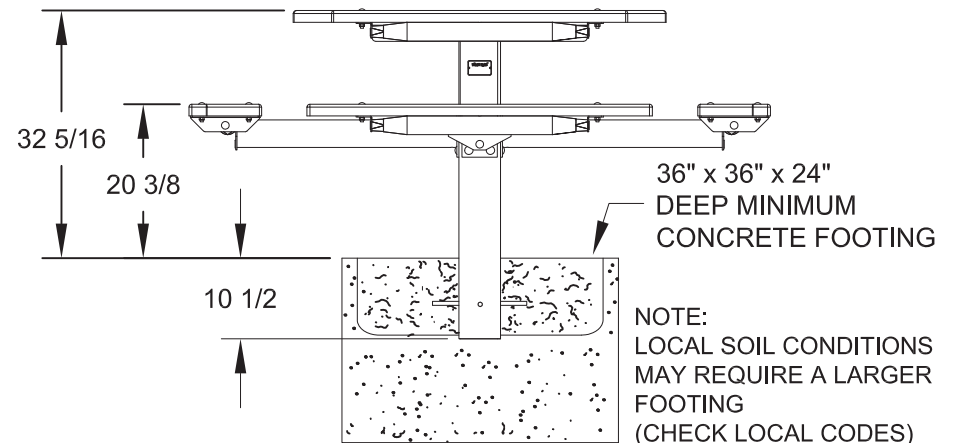
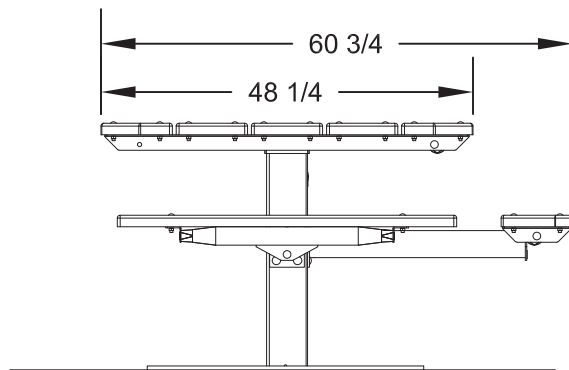
RJ Thomas Mfg. Co., Inc.

PO Box 946 • Cherokee, IA 51012-0946 • PH: 712-225-5115 • 800-762-5002 • FAX: 712-225-5796
E-mail: pilotrock@rjthomas.com • Web Site: <https://www.pilotrock.com>

© 2021 RJ Thomas Mfg. Co., Inc. PILOT ROCK® Park Products is a registered trademark of RJ Thomas Mfg. Co., Inc.



Shown with Optional Surface Mount Base Plate (IP)



ALL DIMENSIONS IN INCHES

ALL DIMENSIONS IN INCHES

RJThomas Mfg. Co., Inc.
P.O. Box 946 • Cherokee, IA 51012-0946

DRAWN BY
JGJ

TITLE **PQT3 SERIES 4 FOOT EMBEDDED MOUNT SQUARE WHEELCHAIR ACCESSIBLE
SINGLE PEDESTAL TABLE WITH 100% RECYCLED PLASTIC TOP AND SEATS**

DATE **02-22-2021**

DWG. NO. **AI-3020**