



Model RA3/G-PC 3-module recycling array, cedar recycled plastic post and slats, hot dip galvanized hardware. Shown with optional Model CN-PD/N-24PC green plastic dome recycling lid and lid decals, and custom engraved lettering with green resin fill.

- **Two- or Three-receptacle systems available**
- **32 gallon capacity**
- **Welded Steel Frame Ring Fabrication**
- **100% Recycled Plastic slats with solid color and U.V. stabilizer for ultraviolet protection**
- **Large choice of colors, lids, liners**

CAN AND LINER OPTIONS

- **Model CNG-2310CL:** Regular-duty, 31 gal. capacity, galvanized steel can with lid
- **Model CN/B-1827:** 36 gal. capacity, heavy-duty, rigid plastic liner
- **Model CNG-WHD32CL:** Federal duty, 32 gal. capacity, galvanized steel can with lid

SPECIFICATIONS:

- **Model RA Series** recycling arrays are a module design of two or three Pilot Rock[®] TRH-32 receptacle holders mounted to a center post to provide a convenient way to collect sorted recyclable materials.
- Model TRH-32 frames are a set of two welded rings. Top ring is constructed from 10 ga. x 2-3/8" formed steel angle rolled, flanged inward, to a 22-5/32" I.D. circular ring. Base ring is constructed from 10 ga. x 2" formed steel angle rolled, flanged outward, to a 22-7/16" I.D. circular ring, reinforced with die-formed cross braces of 10 ga. x 2" steel bar.
- **Standard:** Slats are made of 100% Recycled Plastic molded into 1" x 4" nominal sized planks with solid Brown color (indicated by "PW" in model no., e.g. RA2/G-PW) formed throughout and a U.V. stabilizer added for ultraviolet protection. All slats are precision drilled for assembly.
- Center post is a Brown (indicated by "PW" in model no., e.g. RA2/G-PW) 4" x 4" square molded 100% recycled plastic timber designed to be embedded 17-7/8" into a concrete footing. Height after embedding in 54-1/2"
- TRH receptacles are mounted to the post using a galvanized 10 ga. steel bracket and recycled plastic spacer blocks.
- A wrap-around recycling decal helps identify the use of the array. Optional decals specifying recyclable materials are available for lids, please inquire.
- All fasteners are provided for assembly.
- **Standard:** Rings are hot-dip galvanized after fabrication to ASTM-A123 to maintain an average zinc coating of 2.0 oz. per sq. ft. of surface area (indicated by "/G" in model no., e.g. RA2/G-PW).
- **Optional:** All steel frame components have powder coat finish. See Specification Bulletin #SPC-CO-001.
- **Optional:** Color choices of Recycled Plastic components. See Specification Bulletin #SPC-CO-001.

LID OPTIONS

- **Model CN-PD/◆-24** Pilot Rock Plastic Dome Hatch Lid
- **Model CN-PD/◆-24PC Series** Pilot Rock Plastic Dome Recycling Lid
- **Model CN/G-5555** Galvanized or Powder Coated Steel Dome Hatch Lid
- **Model CN-SDR-24** Plastic Dome lid.
- **Model T◆-24X** Flat Steel Lid
- **Model T◆-24** Flat Steel Lid with a spring-loaded 10" dia. Hatch
- **Model T◆-24PC Series** Flat Steel Recycling Lids with 3" dia. opening, with 4-3/8" dia. opening, or with 5-7/8" dia. opening
- **T/◆-2410 Series** Powder Coated Steel lids
- **Model T/◆-246** Recycling Lid, flat, Thermo-plastic Coated Steel with 5-3/4" dia. opening
- **Model CN/B-1825** Flat Molded Plastic Lid with 10" center opening
- **Model CN/B-55FT** Flat Molded Plastic Lid with 15" center opening
- **Model CN/B-3030** Black Molded Plastic Canopy Lid with openings at each end
- **CN/N-3031 Series** Green Plastic Canopy Lids for recycling with openings at each end
 - ◆ Indicates choice of finish or color — Inquire for specific model options

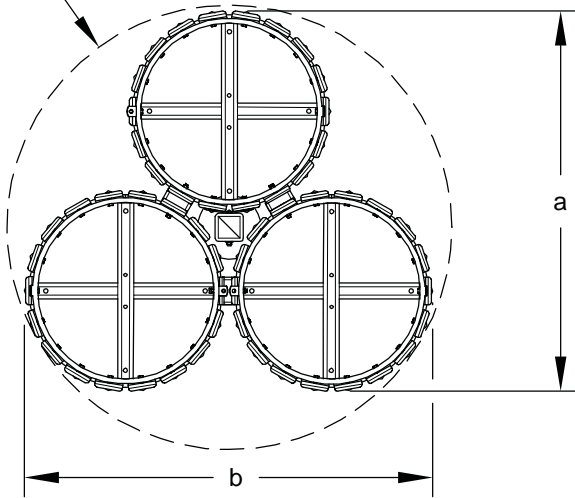
RJ Thomas Mfg. Co., Inc.

PO Box 946 • Cherokee, IA 51012-0946 • PH: 712-225-5115 • 800-762-5002 • FAX: 712-225-5796

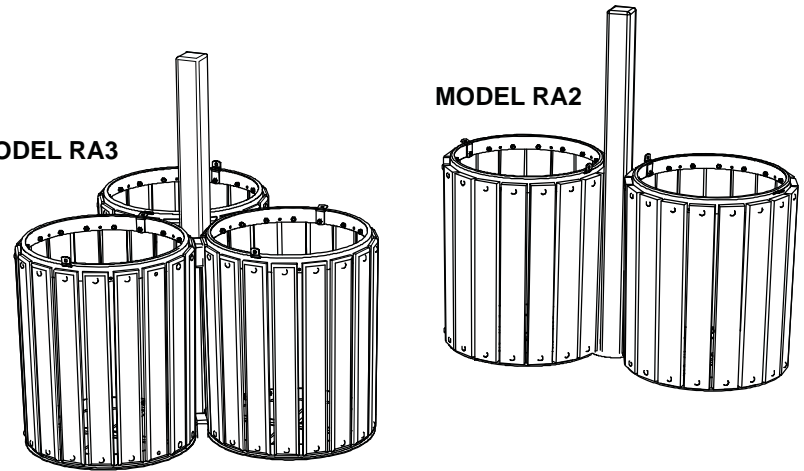
E-mail: customerservice@rjthomas.com • Web Site: <https://www.pilotrock.com>

© 2026 RJ Thomas Mfg. Co., Inc. PILOT ROCK[®] Park Products is a registered trademark of RJ Thomas Mfg. Co., Inc.

55 3/4 INCH DIA.
FOOTPRINT

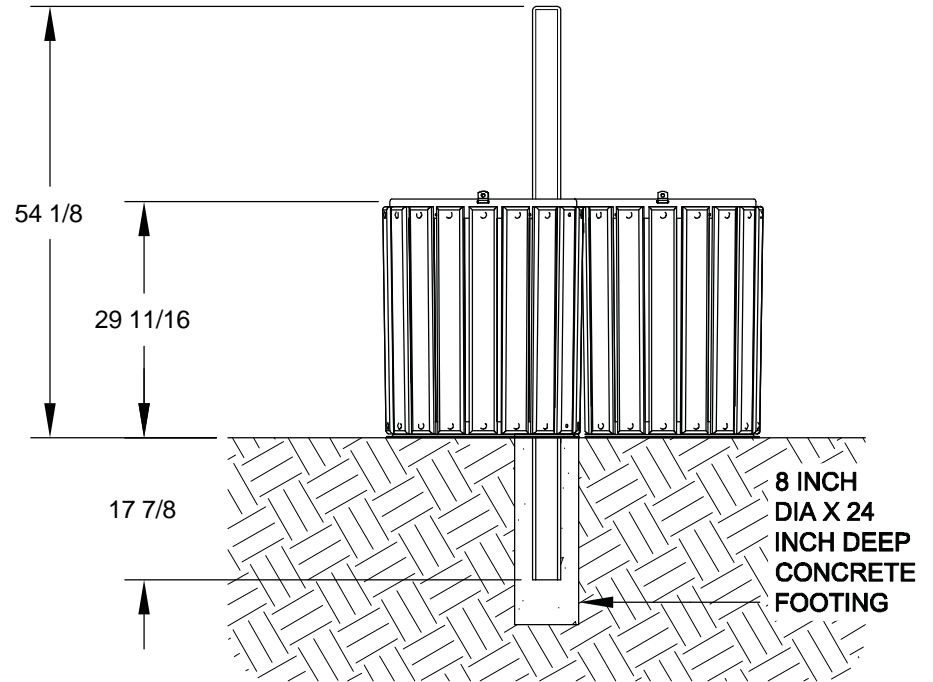
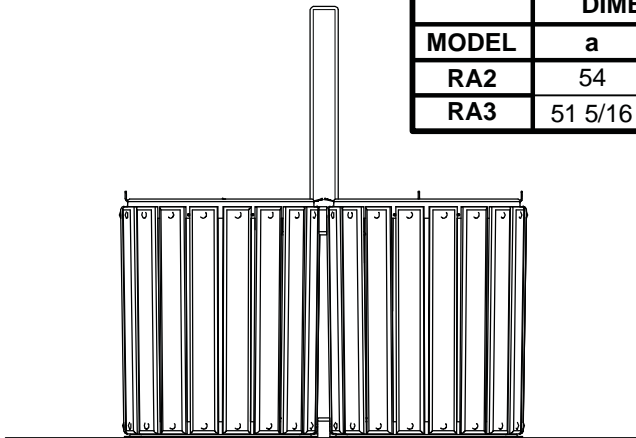


MODEL RA3



MODEL RA2

MODEL	DIMENSION	
	a	b
RA2	54	25
RA3	51 5/16	47 11/16



ALL DIMENSIONS IN INCHES

RJThomas Mfg. Co., Inc.
P.O. Box 946 • Cherokee, IA 51012-0946

DRAWN BY
WWM

TITLE RA SERIES TWO AND THREE MODULE RECYCLING ARRAYS WITH RECYCLED
PLASTIC POST AND SLATS

DATE 4-07-09

DWG. NO. AI-1882