

Model HR Hitchin' Post Bicycle Rack



Model HRE/G Hitchin' Post embedded mount bicycle rack

- **Secures one or two bikes**
- **Strong 2-3/8" diameter tubing**
- **Hot dip galvanized after fabrication for long lasting finish**
- **Two installation choices**

SPECIFICATIONS:

- **Model HR** Hitchin' Post bike rack is constructed from 2-3/8" dia. 11 ga. (.115) wall steel tubing with two 6" inside radius die-formed bends creating an inverted "U" shape providing a rack for securing as many as two bicycles.
- **Model HR** bike rack is designed to have an overall height of 35-1/4" and an overall width of 29-3/8".
- Bike rack is hot-dip galvanized after fabrication to ASTM-A123 to maintain an average zinc coating of 2.0 oz. per sq. ft. of surface area (indicated by "/G" in model no. HRE/G).
- **Two Installation Choices:**

EMBEDDED: The vertical legs of the **Model HRE** bike rack are embedded 9-3/4" into concrete footings. A 9/16" dia hole through each leg shall be provide for insertion of a 1/2" rod (not included) to additionally secure the rack in the footings.

• **Optional:** A 2-part aluminum cover cap is available for the **Model HRE** bike rack. Order (2) part no. CC-1 for each bike rack. Color will match bike rack finish.

SURFACE MOUNT: The vertical legs of the **Model HRP** bike rack include flanges with two 9/16" dia. holes for 3/8" anchor bolts (not included) for surface mount applications.

• **Standard:** Two 2-part aluminum cover caps are included with **Model HRP** bike racks to cover anchors for safety and appearance. Color will match bike rack finish.

• **Optional:** A set of four 3/8" dia. x 3" heavy duty screw anchors for concrete surface mounting of Model HRP are available (order **Model ANC3-4** anchor kit as an additional item).

• **Optional:** Color choices of powder coated steel. For optional colors choices see Specification Bulletin #SPC-CO-001.

• **Optional:** Color choices of thermo plastic coated steel. For optional colors choices see Specification Bulletin #SPC-CO-001.

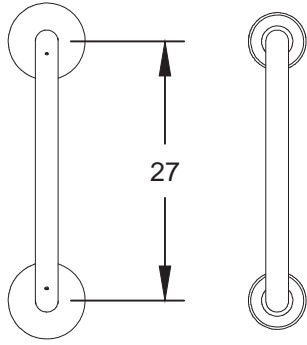
AVAILABLE OPTIONS

- Powder Coat Finish in choice of colors**
- Thermo plastic coated finish in choice of colors**
- Embedded or surface mount**
- Cover Caps for Model HRE bike rack**

RJ Thomas Mfg. Co., Inc.

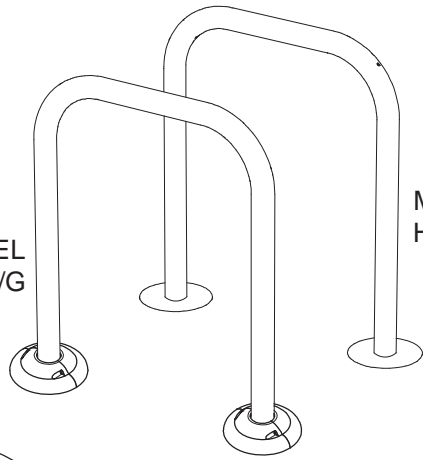
PO Box 946 • Cherokee, IA 51012-0946 • PH: 712-225-5115 • 800-762-5002 • FAX: 712-225-5796
E-mail: pilotrock@rjthomas.com • Web Site: <http://www.pilotrock.com>

© 2017 RJ Thomas Mfg. Co., Inc. PILOT ROCK® Park Products is a registered trademark of RJ Thomas Mfg. Co., Inc.

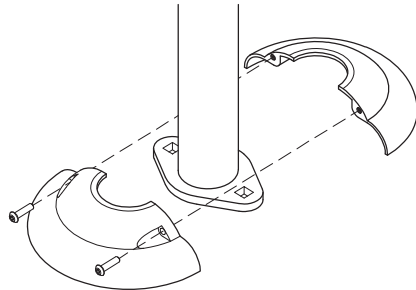


MODEL HRP/G

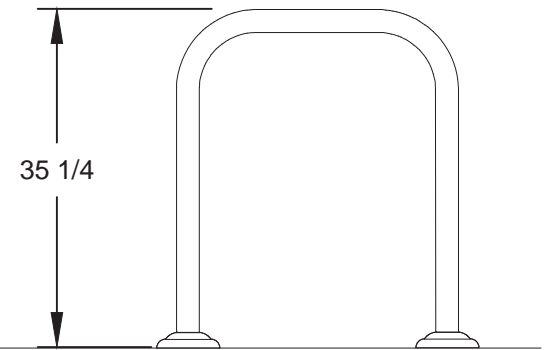
MODEL HRE/G



MODEL HRP/G SURFACE MOUNT



MODEL CC-1 SURFACE INSTALLATION TWO-PART ALUMINUM COVER CAP

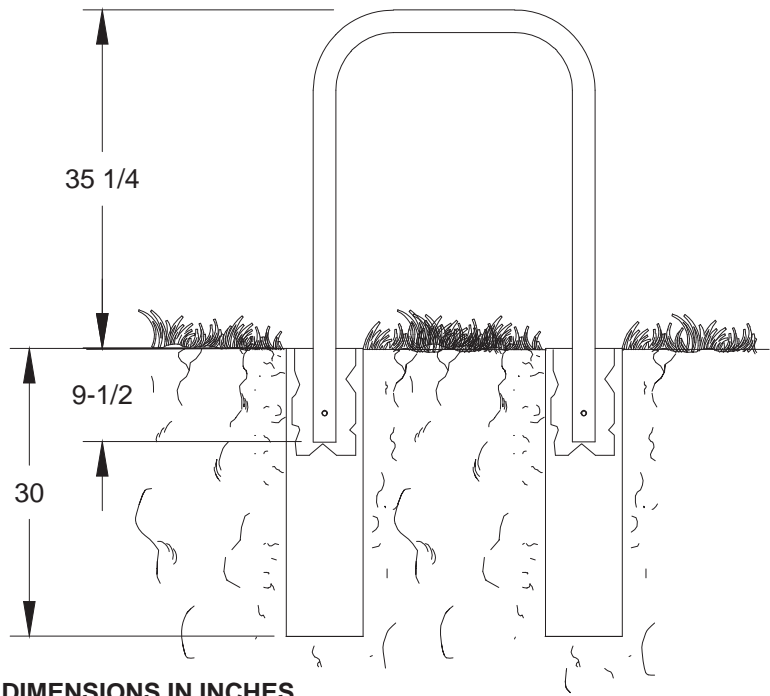


4
CENTER TO CENTER OF MOUNTING HOLES ON FLANGE

MODEL HRE/G EMBEDDED MOUNT

8" DIA. MINIMUM

NOTE: LOCAL SOIL CONDITIONS MAY REQUIRE A LARGER FOOTING (CHECK LOCAL CODES)



ALL DIMENSIONS IN INCHES

RJThomas
Mfg. Co., Inc.
P.O. Box 946
Cherokee, IA 51012

TITLE MODEL HRE EMBEDDED MOUNT AND MODEL HRP SURFACE MOUNT HITCHIN' POST BIKE RACKS

DRAWN BY WWM

DATE 12-02-15

DWG. NO. AI-1772