



*Model SWB3/CB-6PY 6 Ft. Embedded Mount Bench
with Black Powder Coat Frames
and Yellow Recycled Plastic 3" x 4" timbers.*

- **Sturdy welded steel construction**
- **Flat design with Bull-nosed outside timbers**
- **100% Recycled Plastic seat timbers with solid color and U.V. stabilizer for ultraviolet protection**
- **Precision drilled plastic timbers**
- **Quality construction throughout**

SPECIFICATIONS:

- **Model SWB Series** end frames are one-piece welded construction with 2-1/2" x 2-1/2" square steel post. Seat brackets are constructed of 3/8" x 4" A-36 flat steel bar to mount four 3" x 4" timbers.
- Bench is designed to be permanently anchored by embedding bench legs in concrete footings.
- **Model SWB/G-4** is a nom. 4 ft. in length with two (2) frames.
- **Model SWB3/G-6** is a nom. 6 ft. in length with three (3) frames.
- **Model SWB3/G-8** is a nom. 8 ft. in length with three (3) frames.
- **Standard:** All steel frame components are hot-dip galvanized after fabrication to ASTM-A123 to maintain an average zinc coating of 2.0 oz. per sq. ft. of surface area (indicated by "/G" in model no., e.g. SWB/G-4PC).
- **Standard:** Seat is made of 100% Recycled Plastic molded into 3" x 4" nominal sized timbers with solid Cedar color (indicated by "PC" in model no., e.g. SWB/G-4PC) formed throughout and a U.V. stabilizer added for ultra-violet protection.
- All fasteners are provided for assembly.
- **Optional:** Color choices of powder coated steel frame components. For optional colors choices see Specification Bulletin #SPC-CO-001.
- **Optional:** Color choices of Recycled Plastic components. For optional colors choices see Specification Bulletin #SPC-CO-001.
- **Optional:** In lieu of carriage bolts, zinc plated lag screws shall be provided for timber connections – please specify when ordering.

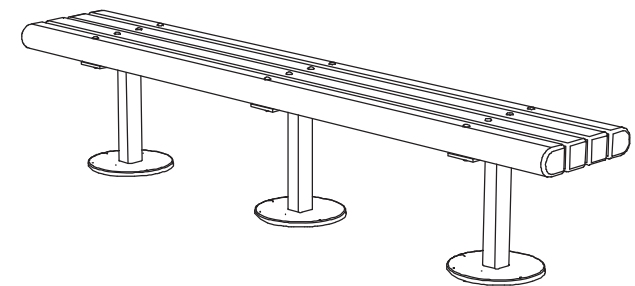
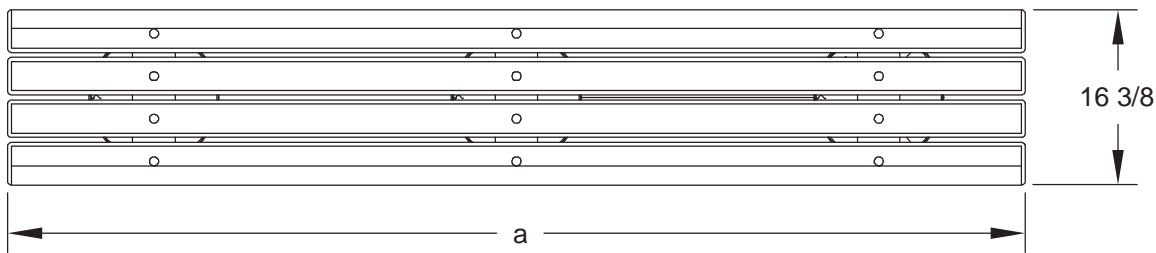
AVAILABLE OPTIONS

- **4', 6', or 8' models**
- **Choice of colors of Powder Coat Finish on steel frame components**
- **Choice of colors of Recycled Plastic**

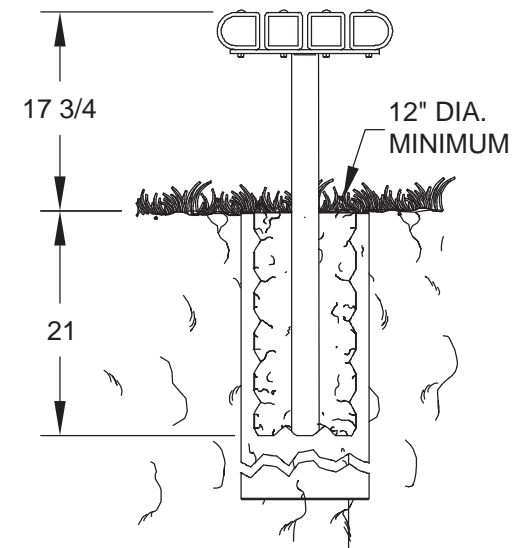
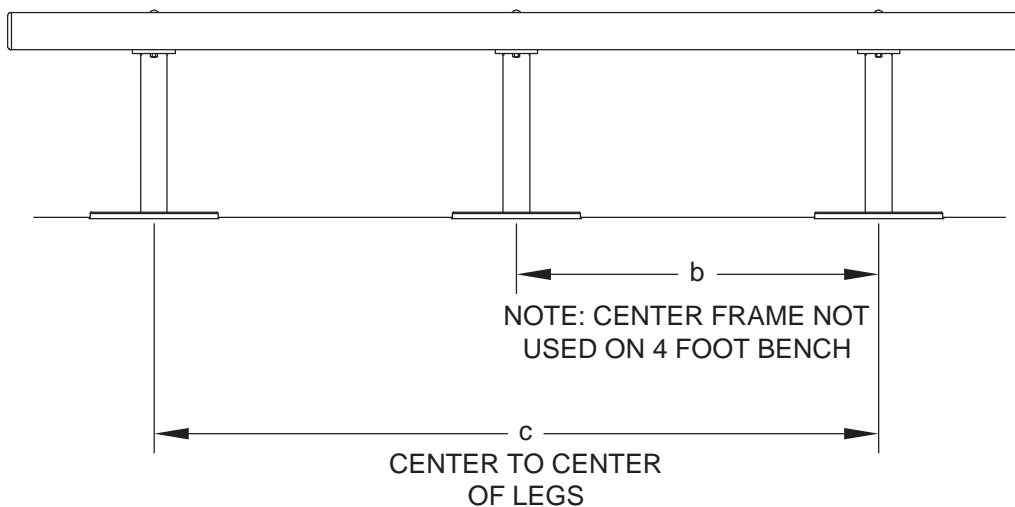
RJ Thomas Mfg. Co., Inc.

PO Box 946 • Cherokee, IA 51012-0946 • PH: 712-225-5115 • 800-762-5002 • FAX: 712-225-5796
E-mail: pilotrock@rjthomas.com • Web Site: <http://www.pilotrock.com>

© 2014 RJ Thomas Mfg. Co., Inc. PILOT ROCK® Park Products is a registered trademark of RJ Thomas Mfg. Co., Inc.



| MODEL NUMBER | DIMENSION | | |
|--------------|-----------|-----|----|
| | a | b | c |
| SWB-4 | 47-1/2 | N/A | 36 |
| SWB3-6 | 71-1/2 | 24 | 48 |
| SWB3-8 | 95-1/2 | 34 | 68 |



NOTE:
LOCAL SOIL
CONDITIONS
MAY REQUIRE
A LARGER
FOOTING
(CHECK LOCAL
CODES)

ALL DIMENSIONS IN INCHES

ALL DIMENSIONS IN INCHES

RJThomas Mfg. Co., Inc.
P.O. Box 946 • Cherokee, IA 51012-0946

DRAWN BY
WWM

TITLE MODEL SWB 4, 6, AND 8 FOOT EMBEDDED MOUNT FLAT BENCH
WITH 3" X 4" RECYCLED PLASTIC TIMBERS

DATE 1-19-11

DWG. NO. **AI-1654**