

T100 Series Portable Round Tables with 100% Recycled Plastic Top and Seats



*Model T104/CW-4PC 48" dia. Top, Portable Round Table
with brown powder coated frames
and cedar colored 100% recycled plastic top and seats*

- **Round design optimizes table top usage and creates a more intimate setting**
- **Curved seats accommodate up to eight people**
- **Nontip, nontrip, walk-through design**
- **All welded corner frames are fabricated from 1-1/2" diameter steel pipe**
- **Cross braces square up the corner frames and strengthen the table**
- **100% recycled plastic seats and top with solid color and U.V. stabilizer for ultraviolet protection**
- **Quality construction throughout**

SPECIFICATIONS:

- **Model T100 Series** table is constructed of four corner frames that are each a one-piece welded construction made from 1-1/2" dia. x 1/8" wall structural steel tubing and seat supports of 1-3/4" x 1-3/4" x 1/8" die formed steel angle.
- **Model T104/G-4** has a nom. 4 ft. diameter top. Curved seats are 40" in length.
- Table frame design incorporates nontip, nontrip, walk-through features. Bends are tightly formed to prevent tipping when weight is on one side.
- Nominal table height is 30". Nominal seat height is 18".
- Two table top sections are supported and attached to corner frames by two 1-3/4" x 1-3/4" x 1/8" die formed steel angles.
- Corner frames are connected by two cross braces constructed of 1-5/16" O.D. steel pipe.
- All galvanized fasteners are provided for table assembly.
- **Standard:** All steel frame components are hot-dip galvanized after fabrication to ASTM-A123 to maintain an average zinc coating of 2.0 oz. per sq. ft. of surface area (indicated by "/G" following the T104 in model no., e.g. T104/G-4PC).
- **Standard:** Top and seats are made of 2" thick 100% Recycled Plastic molded into two half round sections for the top, and four curved seats, with solid Cedar color (indicated by "PC" in model no., e.g. T104/G-4PC) formed throughout and a U.V. stabilizer added for ultra-violet protection.
- **Optional:** Color choices of powder coated steel frame components. For optional colors choices see Specification Bulletin #SPC-CO-001.
- **Optional:** Color choices of Recycled Plastic components. For optional colors choices see Specification Bulletin #SPC-CO-001.
- **Optional:** An umbrella is available. Please inquire for details.

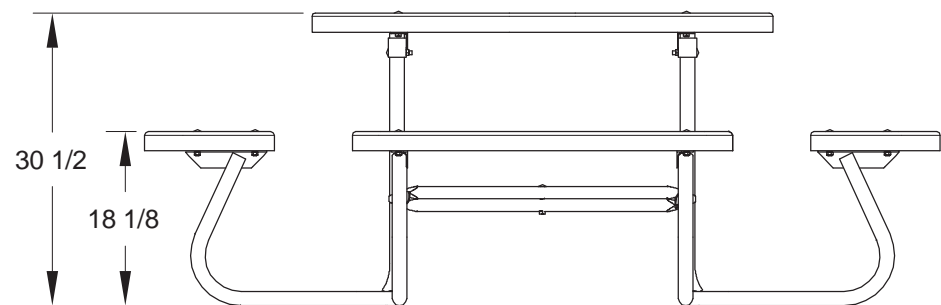
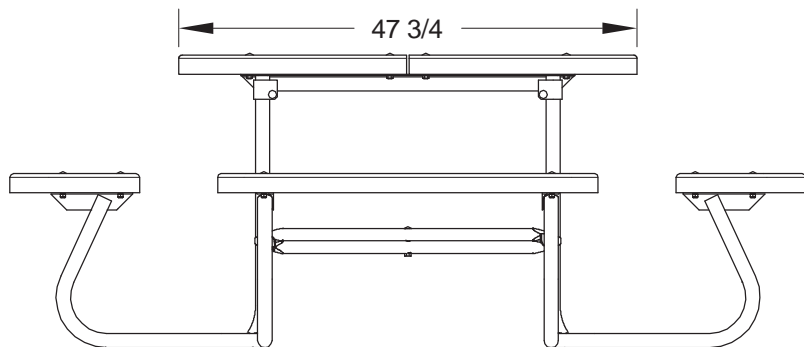
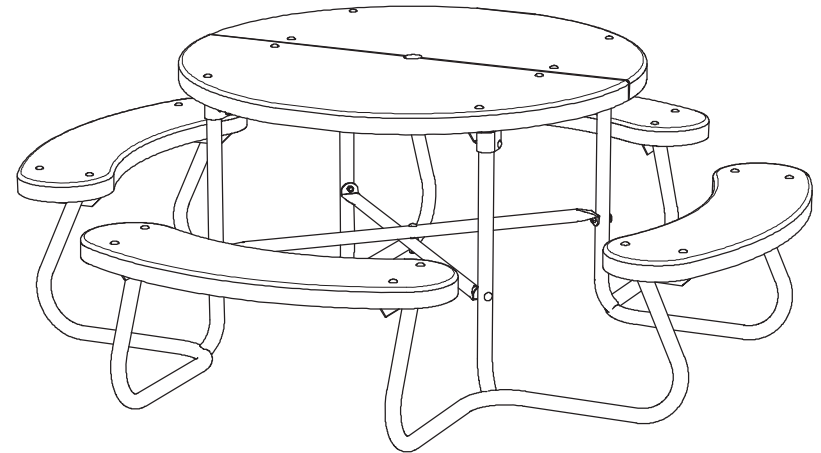
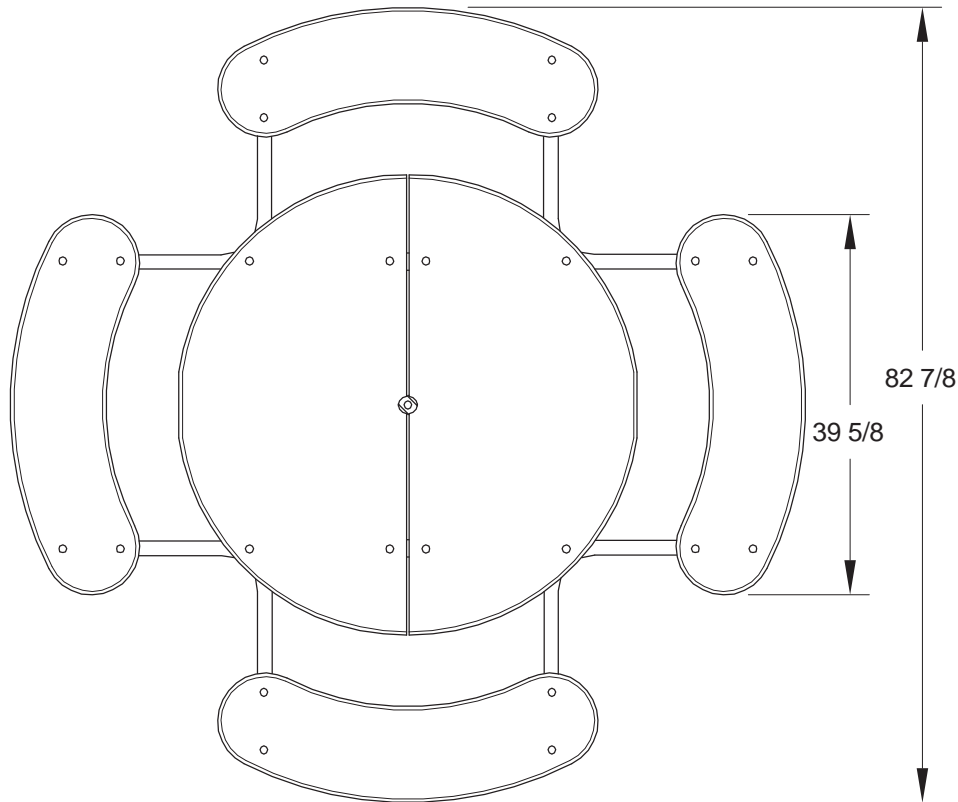
AVAILABLE OPTIONS

- Powder Coat Finish in choice of colors for steel frame components
- Choice of colors of Recycled Plastic
- Umbrella

RJ Thomas Mfg. Co., Inc.

PO Box 946 • Cherokee, IA 51012-0946 • PH: 712-225-5115 • 800-762-5002 • FAX: 712-225-5796
E-mail: pilotrock@rjthomas.com • Web Site: <http://www.pilotrock.com>

© 2017 RJ Thomas Mfg. Co., Inc. PILOT ROCK® Park Products is a registered trademark of RJ Thomas Mfg. Co., Inc.



ALL DIMENSIONS IN INCHES

RJThomas Mfg. Co., Inc.
P.O. Box 946 • Cherokee, IA 51012-0946

DRAWN BY
WWM

TITLE **MODEL T104 4 FOOT PORTABLE ROUND TABLE WITH RECYCLED PLASTIC TOP
AND CURVED SEATS**

DATE **3-03-11**

DWG. NO. **AI-1992**