



*Model T214/CB-4PY Portable Round Table  
with black powder coat frames, with yellow recycled plastic  
4 ft. dia. top, and round seats.*

- **Round design optimizes table top usage and creates a more intimate setting**
- **Round table fits into more compact areas**
- **Bolt together frame design is fabricated from 2-3/8" O.D. steel pipe**
- **Four round seats accommodate four adults**
- **Center hub secures legs, includes hole for optional umbrella**
- **Frames are hot dip galvanized after fabrication for superior corrosion resistance**
- **100% recycled plastic seats and top with solid color and U.V. stabilizer for ultraviolet protection**
- **Quality construction throughout**

#### **SPECIFICATIONS:**

- **T200 Series** frame legs are each a one-piece welded construction, fabricated from 2.375" (2-3/8") O.D. x 10 ga. wall steel pipe to meet 2" nominal steel pipe size specifications and 10 ga. (1/8") thick steel die-formed steel brackets for attaching the seats and tops.
- **Model T214/G-4** has a nom. 4 ft. diameter top. Round seats are 16" in diameter.
- Nominal table height is 32". Nominal seat height is 17-1/2".
- All fasteners are provided for assembly.
- **Standard:** All steel frames components are hot-dip galvanized after fabrication to ASTM-A123 to maintain an average zinc coating of 2.0 oz. per sq. ft. of surface area (indicated by "/G" in model no., e.g. T214/G-4PC).
- Center hub is a one-piece welded construction, fabricated with 2" x 1/2" roll-formed vertical edges on all sides and reinforced by four 10 ga. flat steel straps.
- **Standard:** Top and seats are made of 2" thick 100% Recycled Plastic molded into two half round sections for the top, and four curved seats, with solid Cedar color (indicated by "PC" in model no., e.g. T214/G-4PC) formed throughout and a U.V. stabilizer added for ultra-violet protection.
- Table top and center hub include a reinforced center hole for installation of optional umbrella with 1-1/2" dia. pole.
- **Optional:** Color choices of powder coated steel frame components. See Specification Bulletin #SPC-CO-001.
- **Optional:** Color choices of recycled plastic. For optional colors choices see Specification Bulletin #SPC-CO-001.
- **Optional:** An umbrella is available. Please inquire for details.

#### **AVAILABLE OPTIONS**

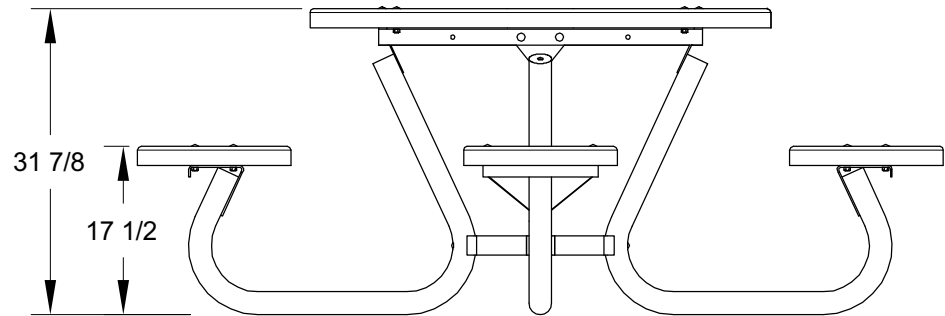
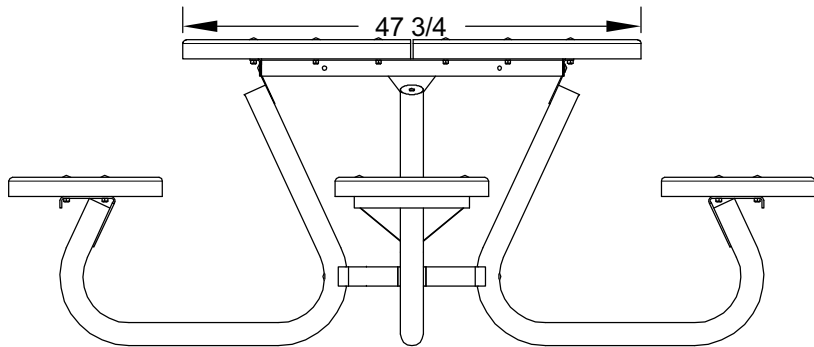
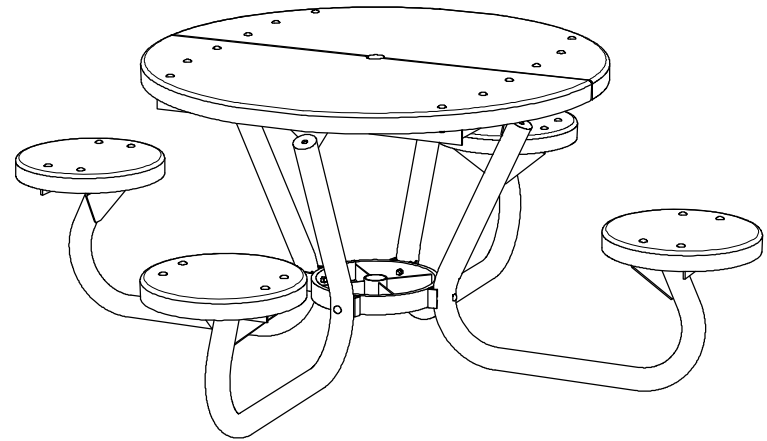
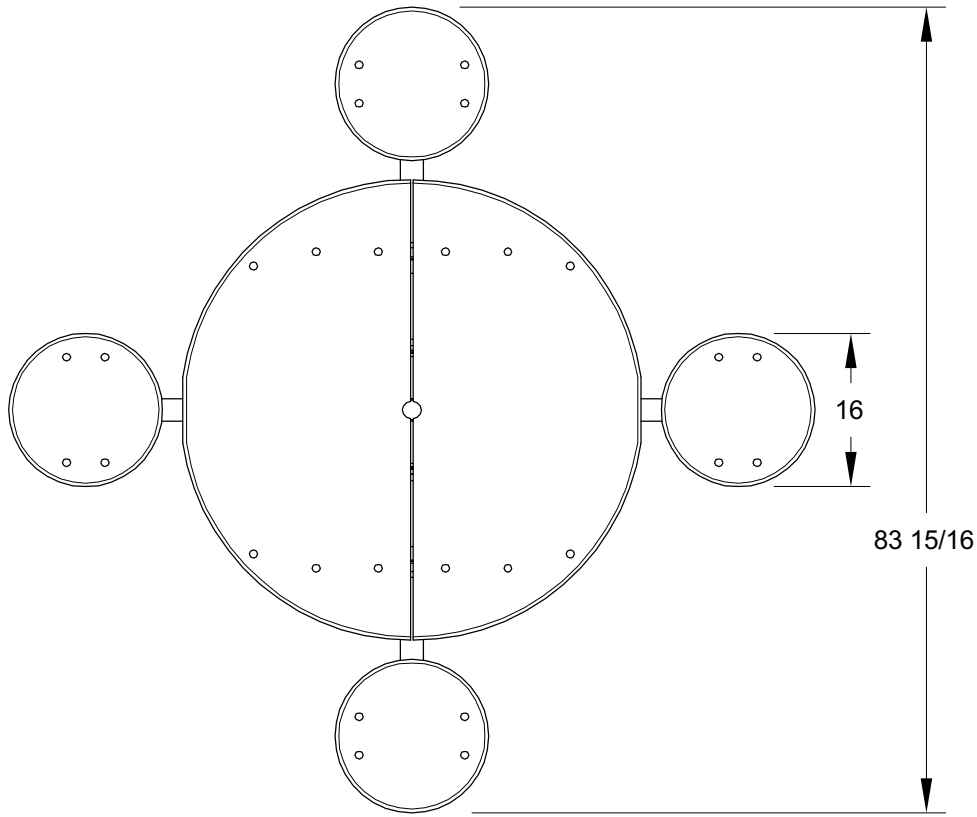
- Powder Coat Finish in choice of colors for steel frame components
- Choice of colors of recycled plastic
- Umbrella

### **RJThomas Mfg. Co., Inc.**

PO Box 946 • Cherokee, IA 51012-0946 • PH: 712-225-5115 • 800-762-5002 • FAX: 712-225-5796

E-Mail: [pilotrock@rjthomas.com](mailto:pilotrock@rjthomas.com) • Web Site: <http://www.pilotrock.com>

© 2011 RJThomas Mfg. Co., Inc. PILOT ROCK® Park Products is a registered trademark of RJThomas Mfg. Co., Inc.



ALL DIMENSIONS IN INCHES

**RJThomas Mfg. Co., Inc.**  
P.O. Box 946 • Cherokee, IA 51012-0946

DRAWN BY  
**WWM**

TITLE **MODEL T214 4 FOOT PORTABLE BOLT TOGETHER ROUND TABLE WITH RECYCLED PLASTIC TOP AND ROUND SEATS**

DATE **3-03-11**

DWG. NO. **AI-1993**