

# T300 Series Embedded Mount Round Pedestal Accessible Table with Recycled Plastic Top and Seats



*Model T303/G-4PR, 48" dia. top, embedded mount, round, pedestal accessible table with galvanized frame and red recycled plastic top and seats*

- **Round design optimizes table top usage and creates a more intimate setting**
- **(3) Curved seats accommodate up to six people**
- **One seat and support arm have been removed to provide wheelchair access**
- **Permanent embedded mounting**
- **Sturdy 5-3/8" square center pedestal, 3-1/2" diameter round radial seat supports**
- **100% recycled plastic seats and top with solid color and U.V. stabilizer for ultraviolet protection**
- **Quality construction throughout**

## **SPECIFICATIONS:**

- **T300 Series** table frame incorporates a 5-3/8" square single center pedestal post designed to be embedded in a concrete footing.
- **Model T303/G-4** has a nom. 4 ft. diameter top. Curved seats are 40" in length. Wheelchair access on one side.
- Three seat support frames are each a one-piece welded construction of 3-1/2" dia. x 11 ga. wall structural steel tubing, a 2-3/8" dia. 10 ga. wall tube, and 2" x 2" x 1/8" die formed steel angles designed to resist lateral torsion and deflection when loaded.
- Frame is designed in a theft-proof manner with all fasteners extending into the central post to prevent removal once the table is assembled.
- Nominal table height is 31-13/16". Nominal seat height is 19-7/8".
- All galvanized fasteners are provided for table assembly.
- **Standard:** All frame components are hot-dip galvanized after fabrication to ASTM-A123 to maintain an average zinc coating of 2.0 oz. per sq. ft. of surface area (indicated by "/G" in model no., e.g. T303/G-4PC).
- **Standard:** Top and seats are made of 2" thick 100% Recycled Plastic molded into two half round sections for the top, and three curved seats, with solid Cedar color (indicated by "PC" in model no., e.g. T303/G-4PC) formed throughout and a U.V. stabilizer added for ultra-violet protection.
- **Optional:** Color choices of Recycled Plastic components. For optional colors choices see Specification Bulletin #SPC-CO-001.
- **Optional:** Color choices of powder coated steel frame components. For optional colors choices see Specification Bulletin #SPC-CO-001.
- **Optional:** An umbrella is available. Please inquire for details.

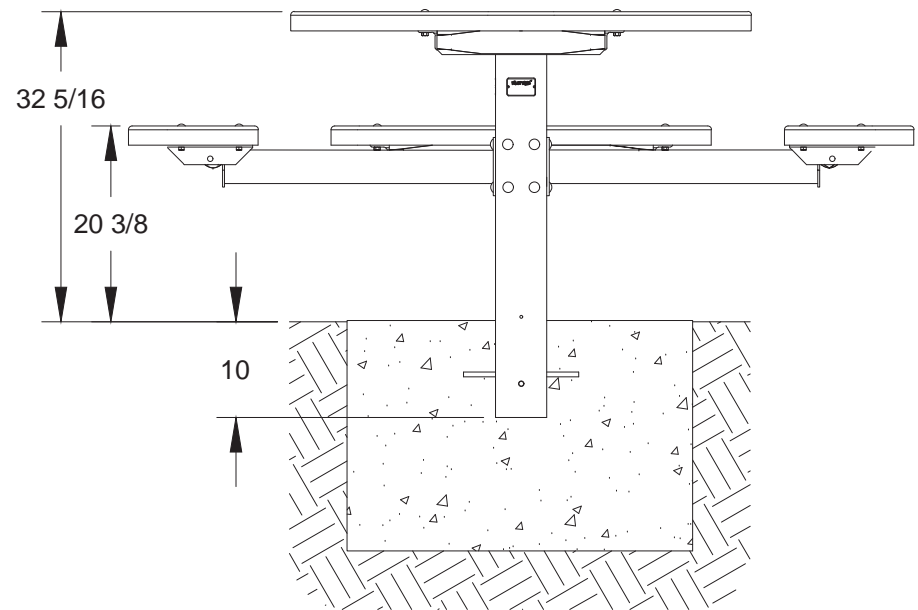
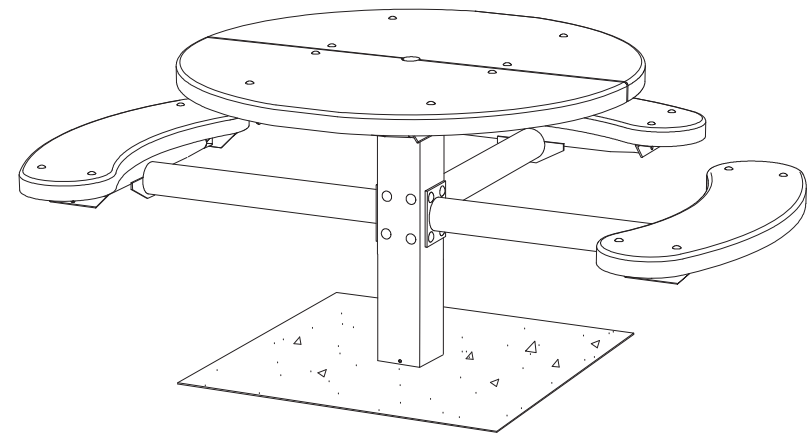
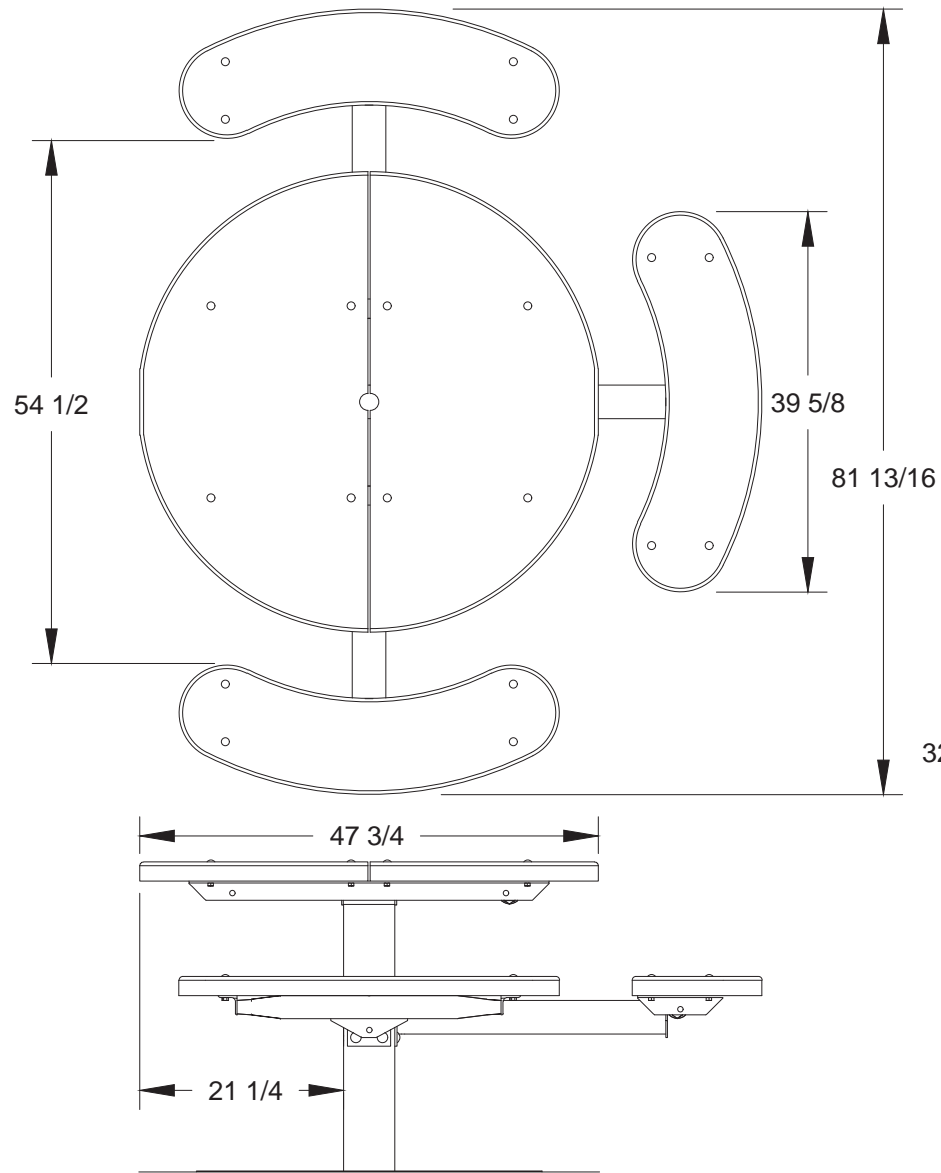
## **AVAILABLE OPTIONS**

- Powder Coat Finish in choice of colors for steel frame components
- Choice of colors of Recycled Plastic
- Umbrellas

**RJ Thomas Mfg. Co., Inc.**

PO Box 946 • Cherokee, IA 51012-0946 • PH: 712-225-5115 • 800-762-5002 • FAX: 712-225-5796  
E-mail: pilotrock@rjthomas.com • Web Site: <https://www.pilotrock.com>

© 2022 RJ Thomas Mfg. Co., Inc. PILOT ROCK® Park Products is a registered trademark of RJ Thomas Mfg. Co., Inc.



ALL DIMENSIONS IN INCHES

**RJThomas Mfg. Co., Inc.**  
P.O. Box 946 • Cherokee, IA 51012-0946

DRAWN BY  
**JGJ**

TITLE **MODEL T303 4 FOOT EMBEDDED MOUNT ROUND ACCESSIBLE TABLE  
WITH RECYCLED PLASTIC TOP AND CURVED SEATS**

DATE **01-20-2022**

DWG. NO. **AI-3034**