

**Model TPT Twin Pedestal Table
6 and 8 Foot Embedded Mount
with 100% Recycled Plastic Top and Seats**



Model TPT/CB-6PC embedded mount twin pedestal table with black powder coated frames, 6 ft. long with cedar colored recycled plastic top and seats.

- **Permanent installation prevents theft**
- **Twin pedestal design allows easier cleaning under table**
- **Frames are hot-dip galvanized after fabrication for superior corrosion resistance**
- **100% recycled plastic top and seat planks with solid color and U.V. stabilizer for ultraviolet protection**
- **Pregalvanized steel channel reinforcements under table top and seats**

SPECIFICATIONS:

- **TPT Series** table frames are a one piece welded construction fabricated from a 1/8" wall x 4" x 4" square tube vertical post with two 3/16" wall x 2-1/2" x 2-1/2" horizontal seat support arms with 2" x 3" x 3/16" A-36 structural grade steel angles for attaching the seats and top. Exposed ends of square tubing are permanently sealed with welded-on steel end caps. Frames are designed to be embedded in a concrete footing.
- **Model TPT/G-6** is a nominal 6 ft. long.
- **Model TPT/G-8** is a nominal 8 ft. long.
- Nominal table height is 31-1/2". Nominal seat height is 18".
- **Standard:** All steel frame components are hot-dip galvanized after fabrication to ASTM-A123 to maintain an average zinc coating of 2.0 oz. per sq. ft. of surface area (indicated by "/G" in model no., e.g. TPT/G-6PC).
- **Standard:** Top and seats are made of 100% recycled plastic molded into 2" x 10" nominal sized planks with solid cedar colored (indicated by "PC" in model no., e.g. TPT/G-6PC) formed throughout and a U.V. stabilizer added for ultra-violet protection.
- Recycled plastic top and seat planks are supported by pregalvanized steel subframe channels.
- All galvanized fasteners are provided for assembly.
- **Optional:** All steel frame components have powder coat finish. See Specification Bulletin #SPC-CO-001.
- **Optional:** Color choices of Recycled Plastic components. See Specification Bulletin #SPC-CO-001.
- **Optional:** Frames shall be provided with a 3/8" x 10" x 10" steel base plate to bolt table to existing concrete pad. To specify add /P after the TPT in the model no., e.g. TPT/P/G-6PC. (Anchor bolts not included.)

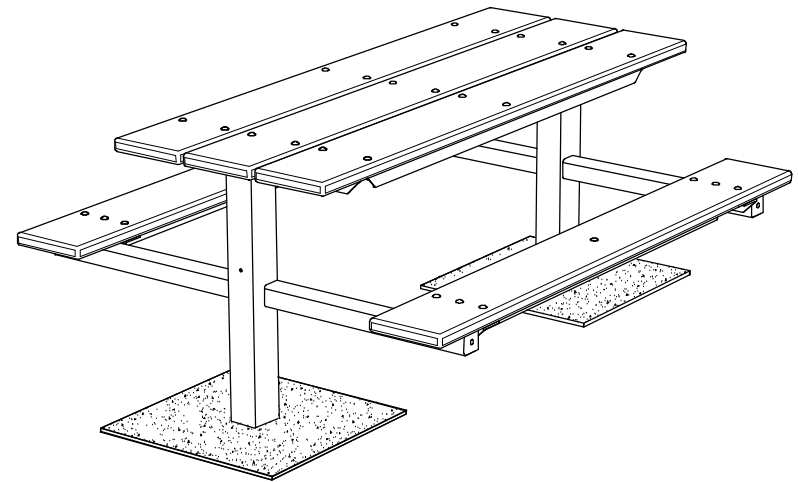
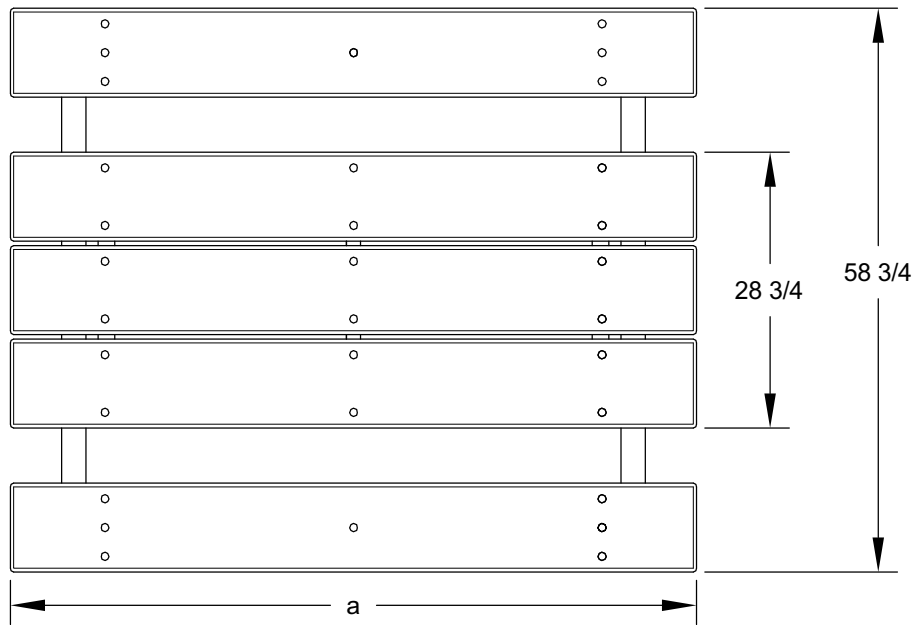
AVAILABLE OPTIONS

- 6' or 8' lengths
- Choice of colors of powder coat finish on steel frame components
- Choice of colors of recycled plastic
- Surface mount base plate

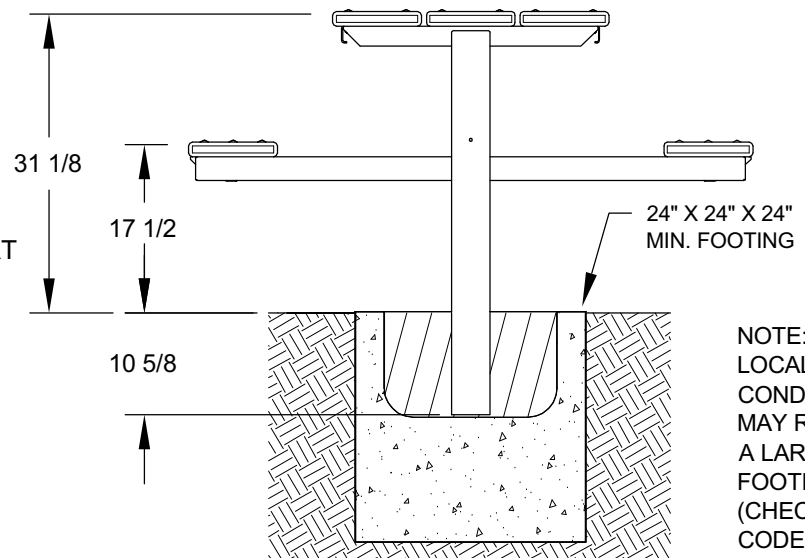
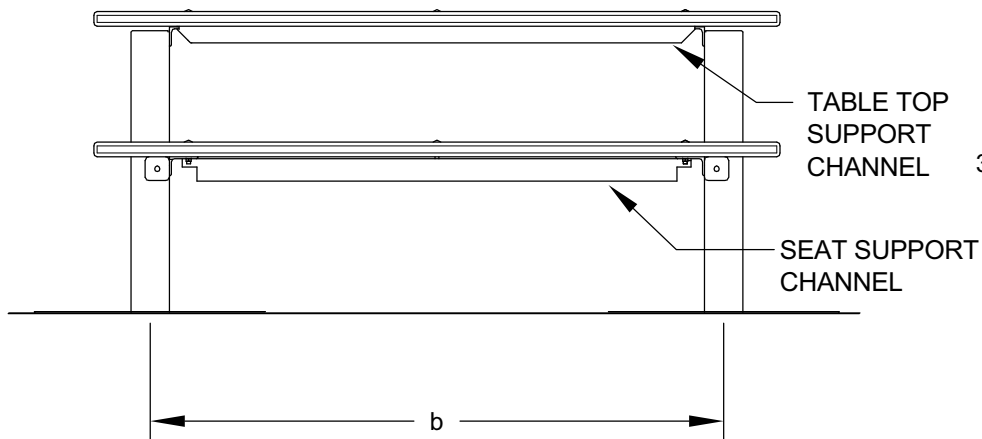
RJ Thomas Mfg. Co., Inc.

PO Box 946 • Cherokee, IA 51012-0946 • PH: 712-225-5115 • 800-762-5002 • FAX: 712-225-5796
E-mail: pilotrock@rjthomas.com • Web Site: <http://www.pilotrock.com>

© 2008 RJ Thomas Mfg. Co., Inc. PILOT ROCK® Park Products is a registered trademark of RJ Thomas Mfg. Co., Inc.



MODEL	DIMENSION	
	a	b
TPT-6	71 1/2	59 3/4
TPT-8	95 1/2	78



NOTE:
LOCAL SOIL
CONDITIONS
MAY REQUIRE
A LARGER
FOOTING
(CHECK LOCAL
CODES)

ALL DIMENSIONS IN INCHES

RJThomas Mfg. Co., Inc.
P.O. Box 946 • Cherokee, IA 51012-0946

DRAWN BY
WWM

TITLE TPT SERIES TWIN PEDESTAL 6 AND 8 FOOT EMBEDDED MOUNT TABLE
WITH RECYCLED PLASTIC TOP AND SEATS

DATE 2-12-10

DWG. NO. **AI-1920**