



*Model TRH/G-20TP24 Trash Receptacle Holder  
with Hot Dip Galvanized steel frame rings and Treated  
Southern Yellow Pine 2" x 4" slats.  
Shown with **Model T/G-22PC1**  
Pregalvanized Flat Steel Recycling Lid*

- **20 gallon capacity**
- **Welded Steel Frame Ring Fabrication**
- **Treated #1 Southern Yellow Pine Slats**
- **Choice of lid, liner, and mounting options**

## MOUNTING OPTIONS

- Model M1G Strap Anchor Mount:**  
ground level concrete embedded installation
- Model M4/G Embedded Pedestal Mount:**  
elevated concrete embedded installation
- Model M5/G Surface Pedestal Mount:**  
elevated base plate on concrete installation
- Model M6/B Surface Ground Anchors:**  
four steel rod anchors for temporary location in lawns or on soft dirt.

## CAN AND LINER OPTIONS

- Model CN-2200CL:** 20 gal. steel can and cover.

## SPECIFICATIONS:

- **Model TRH-20 Series** trash receptacle holders are designed to hold most commercially available 20 gal. liners.
- Model TRH-20 frames are a set of two welded rings. Top ring is constructed from 10 ga. x 2-3/8" formed steel angle rolled, flanged inward, to a 20-3/8" I.D. circular ring. Base ring is constructed from 10 ga. x 2" formed steel angle rolled, flanged outward, to a 19-1/4" I.D. circular ring, reinforced with die-formed cross braces of 10 ga. x 2" steel bar.
- All fasteners are provided for assembly.
- Assembled receptacle is a nominal 25" high.
- **Standard:** Rings are hot-dip galvanized after fabrication to ASTM-A123 to maintain an average zinc coating of 2.0 oz. per sq. ft. of surface area (indicated by "/G" in model no., e.g. TRH/G-20TP24).
- **Standard:** Lumber is nominal 2" x 4" (indicated by "24" in model no., e.g. TRH/G-20TP24) #1 grade Southern Yellow Pine pressure treated (KDAT) to preserve wood against decay.
- All lumber is precision drilled for assembly and has all exposed edges removed to a 3/8" radius.
- **Optional:** All steel frame components have powder coat finish. See Specification Bulletin #SPC-CO-001.
- **Optional:** Construction Heart Redwood and Cedar are available when in stock — please inquire.

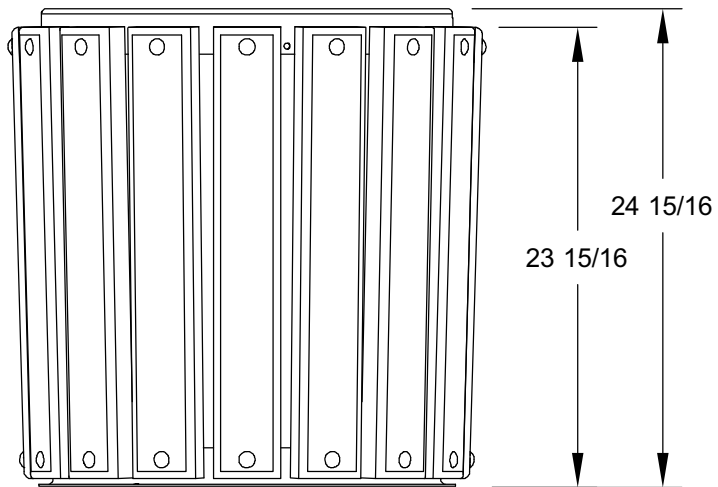
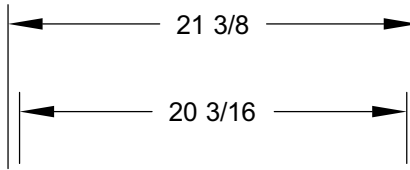
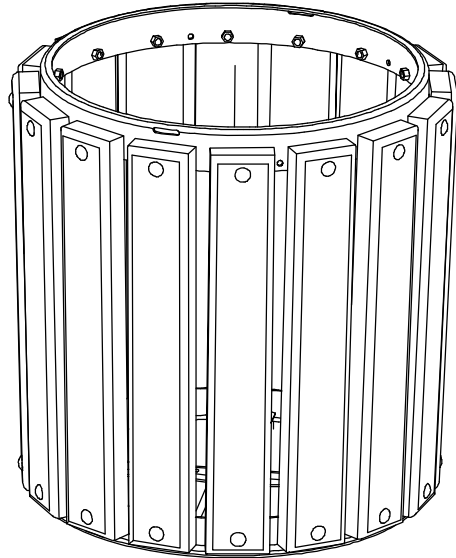
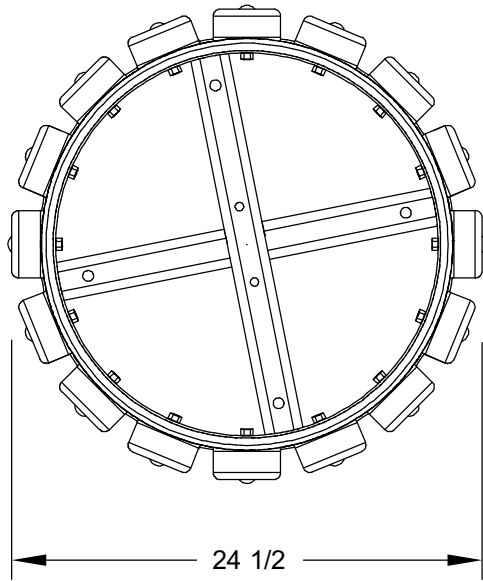
## LID OPTIONS

- **T◆-22X** Flat Steel Lid
- **T◆-22** Flat Steel Lid with a spring-loaded 10" dia. Hatch
- **T◆-22PC Series** Flat Steel Recycling Lids with 3" dia. opening, with 4-3/8" dia. opening, or with 5-7/8" dia. opening
- ◆ Indicates choice of finish or color — Inquire for specific model options

**RJThomas Mfg. Co., Inc.**

PO Box 946 • Cherokee, IA 51012-0946 • PH: 712-225-5115 • 800-762-5002 • FAX: 712-225-5796  
E-mail: pilotrock@rjthomas.com • Web Site: <http://www.pilotrock.com>

© 2008 RJThomas Mfg. Co., Inc. PILOT ROCK® Park Products is a registered trademark of RJThomas Mfg. Co., Inc.



ALL DIMENSIONS IN INCHES

**RJThomas**  
**Mfg. Co., Inc.**  
 P.O. Box 946  
 Cherokee, IA 51012

TITLE TRH-20 SERIES ROUND TRASH AND RECYCLING RECPTACLE  
 HOLDER WITH 2 X 4 INCH LUMBER SLATS

DRAWN BY	WWM
DATE	12-22-08
DWG. NO.	AI-1722