



Model TRH/G-20PC24 Trash Receptacle Holder with Hot Dip Galvanized steel frame rings and Cedar colored Recycled Plastic 2" x 4" slats. Shown with **Model T/G-22** Pregalvanized Flat Steel Hatch Lid

- **20 gallon capacity**
- **Welded Steel Frame Ring Fabrication**
- **100% Recycled Plastic slats with solid color and U.V. stabilizer for ultraviolet protection**
- **Choice of lid, liner, and mounting options**

MOUNTING OPTIONS

Model M1G Strap Anchor Mount: ground level concrete embedded installation

Model M4/G Embedded Pedestal Mount: elevated concrete embedded installation

Model M5/G Surface Pedestal Mount: elevated base plate on concrete installation

Model M6/B Surface Ground Anchors: four steel rod anchors for temporary location in lawns or on soft dirt.

CAN AND LINER OPTIONS

Model CN-2200CL: 20 gal. steel can and cover.

SPECIFICATIONS:

- **Model TRH-20 Series** trash receptacle holders are designed to hold most commercially available 20 gal. liner.
- Model TRH-20 frames are a set of two welded rings. Top ring is constructed from 10 ga. x 2-3/8" formed steel angle rolled, flanged inward, to a 20-3/8" I.D. circular ring. Base ring is constructed from 10 ga. x 2" formed steel angle rolled, flanged outward, to a 19-1/4" I.D. circular ring, reinforced with die-formed cross braces of 10 ga. x 2" steel bar.
- All fasteners are provided for assembly.
- Assembled receptacle is a nominal 25" high.
- **Standard:** Rings are hot-dip galvanized after fabrication to ASTM-A123 to maintain an average zinc coating of 2.0 oz. per sq. ft. of surface area (indicated by "/G" in model no., e.g. TRH/G-20PC24).
- **Standard:** Slats are made of 100% Recycled Plastic molded into 2" x 4" nominal sized planks with solid Cedar color (indicated by "PC" in model no., e.g. TRH/G-20PC24) formed throughout and a U.V. stabilizer added for ultraviolet protection.
- All slats are precision drilled for assembly and have all exposed edges removed to a 3/8" radius.
- **Optional:** All steel frame components have powder coat finish. See Specification Bulletin #SPC-CO-001.
- **Optional:** Color choices of Recycled Plastic components. See Specification Bulletin #SPC-CO-001.

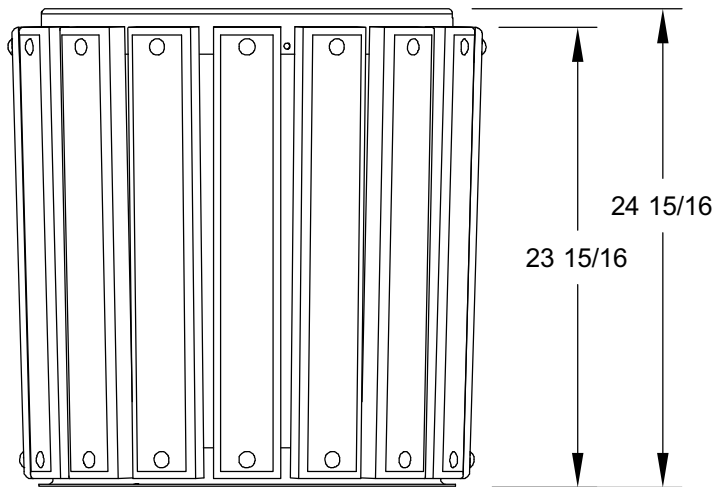
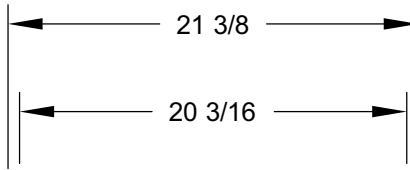
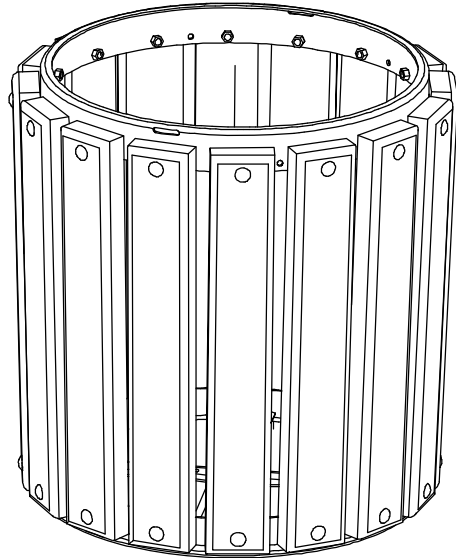
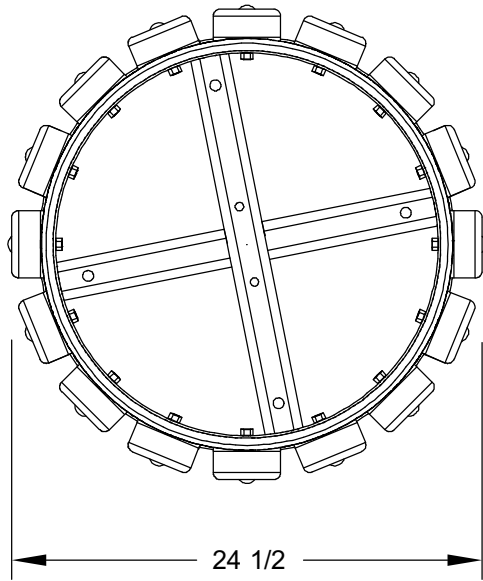
LID OPTIONS

- **T◆-22X** Flat Steel Lid
- **T◆-22** Flat Steel Lid with a spring-loaded 10" dia. Hatch (fits on liner inside)
- **T◆-22PC Series** Flat Steel Recycling Lids with 3" dia. opening, with 4-3/8" dia. opening, or with 5-7/8" dia. opening (fits on liner inside)
- ◆ Indicates choice of finish or color — Inquire for specific model options

RJThomas Mfg. Co., Inc.

PO Box 946 • Cherokee, IA 51012-0946 • PH: 712-225-5115 • 800-762-5002 • FAX: 712-225-5796
 E-mail: pilotrock@rjthomas.com • Web Site: http://www.pilotrock.com

© 2008 RJThomas Mfg. Co., Inc. PILOT ROCK® Park Products is a registered trademark of RJThomas Mfg. Co., Inc.



ALL DIMENSIONS IN INCHES

RJThomas
Mfg. Co., Inc.
 P.O. Box 946
 Cherokee, IA 51012

TITLE TRH-20 SERIES ROUND TRASH AND RECYCLING RECEPTACLE
 HOLDER WITH 2 X 4 INCH RECYCLED PLASTIC SLATS

DRAWN BY	WWM
DATE	12-30-08
DWG. NO.	AI-1723